

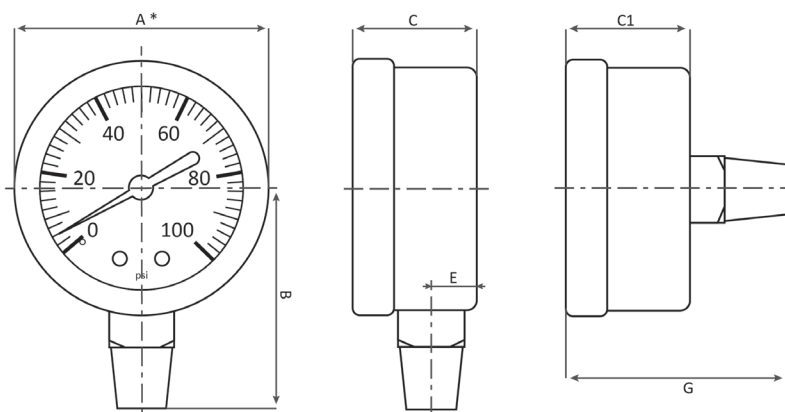
General Purpose Pressure Gauge: Steel Case

Case and bezel material:	Black Painted Steel
Connection:	Copper alloy
Bourdon tube material:	Copper alloy
Working temperature:	Ambient = -20~60°C, Process = +70°C
Dial:	Black print kPa, Red print PSI (80 & 100mm kPa only) on White Background
Ranges:	-100~0 kPa to dual scale 0~6,000 kPa/PSI (80 & 100mm single scale kPa)
Connection:	1/4" BSPT, (100mm is 3/8" BSPT)
Window:	Polycarbonate, (80 & 100mm is Glass)
Surge protection:	Available on Request
Movement:	Copper alloy
Pointer:	Aluminium Black Finish
Accuracy:	+/- 2.5% of Full Scale



Dimensions in mm

	A *	B	C	C1	E	G
50	52.8	45.6	26.4	26.4	9.3	48.5
63	63.2	53.6	29.8	30.0	9.8	52.1
80	77.0	68.2	34.6	32.8	13.0	54.0
100	100.5	80.5	35.5		13.1	



Size	50mm		63mm		80mm		100mm	Accessories
Range (in kPa)	Lower Mount P/N	Centre Back Mount P/N	Lower Mount P/N	Centre Back Mount P/N	Lower Mount P/N	Centre Back Mount P/N	Lower Mount P/N	
-100-0			1612510	1613501 s	1616500		1618000	63mm glass lens P/N: 1619950
-100/+150							1618050	
-100/+1600							1618055	
0-100			1612530	1613541 s				Restrictor 0.46mm P/N: 1619915
0-250			1612600	1613560	1616600		1618100	
0-400	1611152 1		1612730		1616650		1618150	Restrictor 0.25mm P/N: 1619916
0-600			1612740					
0-800	1611261 3		1612750		1616700		1618200	
0-1000	1611300 2	1612311 4	1612770	1613580	1616750		1618250	100mm back flange P/N: 1619700-2
0-1600	1611352 9	1612402	1612810	1613590	1616800 7	1617530 7	1618300	
0-2500			1612850	1613596 6	1616850 7	1617550	1618350 8	
0-4000			1613150	1613600	1616900		1618400	
0-6000			1613200	1613620				
0-8000	1611800 1							
0-16000	1611900 1							
0-25000	1611940 1							
Weight gms	115	120	146	205	285	225	400	

Legend:

- | | | |
|----------------------------------|---------------------|--|
| 1. Safety pattern case model 512 | | 5. Supplied with stainless steel case and front flange model 414 |
| 2. Available in safety pattern | P/N: 1611301 | 6. Supplied with 1/2" BSPT |
| 3. Available in 1/8" BSPT | P/N: 1611260 | 7. Supplied with red line at 970 kPa |
| 4. Supplied with 1/8" BSPT | | 8. Available with 1/2" BSPT |
| | | 9. Available in safety pattern |
| | | P/N: 1618352 |
| | | P/N: 1611364 |

Revision: 0421

The data provided above is for information purposes only and no warranty of accuracy or reliability is given.
Ross Brown Sales Pty Limited reserves the right to change or modify this data without prior notice.