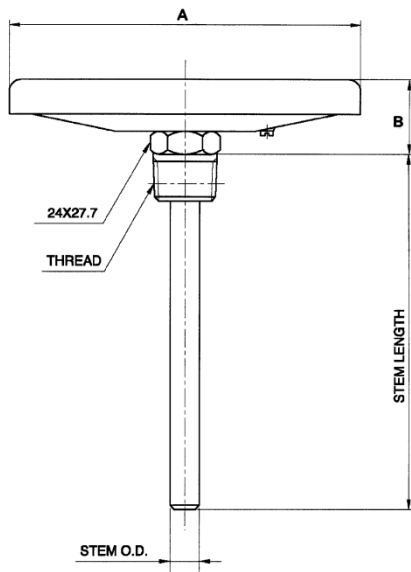


Bi-metal Thermometer Rear Entry Stainless Steel

Model: T2 & T13A

Case and bezel material:	304 Stainless Steel
Connection & stem material:	316 Stainless Steel
Connection:	½" NPT Rear Entry
Stem Lengths:	30 > 550 mm dependent on temperature range
Dial:	Aluminium, Black print on Silver Background
Ranges:	-40°/+50°C to 0°-400°C
Accuracy:	63mm +/-1.5% of Full Scale, others 1% of Full Scale
Window:	Glass
Zero Adjust	On the back of the case



Dimensions in mm

Dial Size	A	B	Stem O.D.
63	63	24	6.4
80	85	35	6.4
125	132	39	6.4

Range °C	63mm case 40mm stem	80mm case 63mm stem	80mm case 100mm stem	80mm case 150mm stem	125mm case 150mm stem	125mm case 225mm stem
-50/+50				2621924E		
-50/+100						
-30/+50						
-30/+100						
-30/+120						
-20/+50						
-20/+100						
-20/+150						
-10/50						
0/50						
0/60						
0/70			2621930E			
0/80						
0/100						
0/120	2621221	2621938E	2621941E	2621943E	2622846E	2622848E
0/150					2622862E	2622865E
0/200	2621222	2621945E	2621944E			2622858E
0/250						
0/300		2621946E			2622867E	2622868E
0/350						
0/400		2621948E	2621952E		2622886E	2622888E
Weight gms	140		255	260	460	520
Thermowell		2629903	2629904	2629906	2629906	

Revision: 0623

The data provided above is for information purposes only and no warranty of accuracy or reliability is given.
Ross Brown Sales Pty Limited reserves the right to change or modify this data without prior notice.