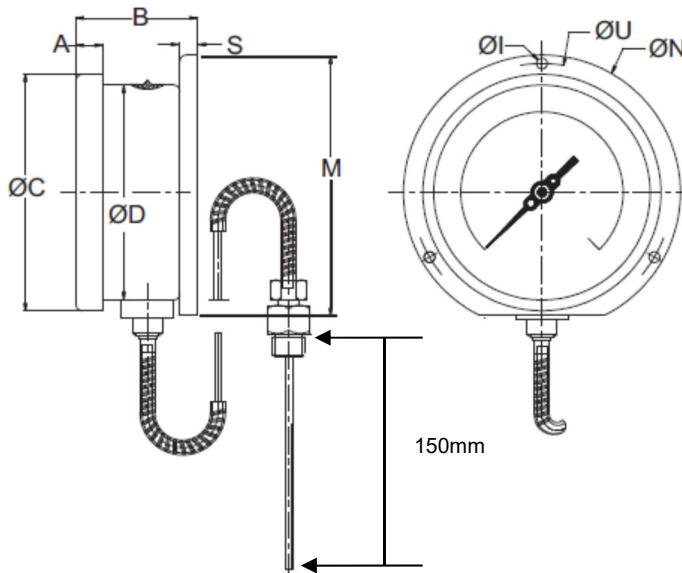




## Capillary Thermometer Bottom Entry Stainless Steel

**Model: CA-F-1**

<b>Case and bezel material:</b>	304 Stainless steel
<b>Connection material:</b>	316 Stainless steel
<b>Stem material:</b>	316 Stainless steel
<b>Connection:</b>	½" NPT compression fitting
<b>Stem Length:</b>	85-150 mm x 10 mm adjustable dependant on temperature range
<b>Capillary:</b>	3 metres 316 S/S capillary, 304 S/S armoring
<b>Mounting:</b>	Surface mount via back flange
<b>Dial:</b>	Aluminium, black print on white background
<b>Ranges:</b>	-80/+60°C to 0/600° C
<b>Window:</b>	Glass
<b>Accuracy:</b>	1.0% of full scale
<b>Zero Adjust:</b>	Adjustable pointer



Dimensions in mm

Dial Size	Stem O.D.	A	B	C	D	S	M	U	N	I
100	10	12.5	45	111	100	6	128	118	134	6
150	10	15	46.5	161	149	6	174.5	168	186	6

Range (in °C)	100mm Case	150mm Case
-50/+50	On request	On request
0/60	On request	On request
0/120	2626940RB	On request
0/250	2626970RB	On request
0/400	On request	On request
<b>Weight gms</b>	1240	
<b>Thermowell</b>	On request	On request

Revision: 0115