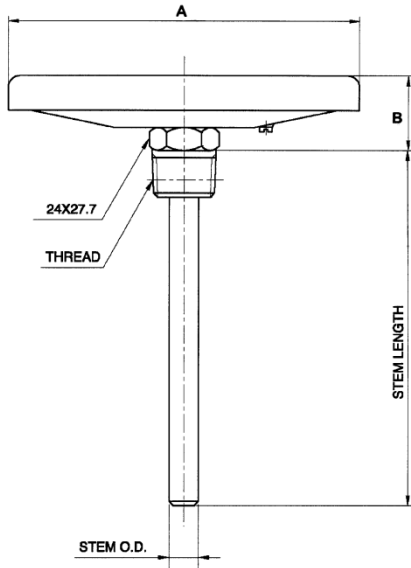




Bi-metal Thermometer Rear Entry Stainless Steel

Model T2 & T111

Case and bezel material:	304 stainless steel
Connection & stem material:	316 Stainless steel
Connection:	½" NPT rear entry
Stem lengths:	30 > 550 mm dependant on temperature range
Dial:	Aluminium, black print on silver background
Ranges:	-50/+50°C to 0/400° C
Window:	Glass
Accuracy:	1.0% of F.S. 0-200° C, others 2.0% of F.S.
Zero Adjust:	On the back of the case



Dimensions in mm

Dial Size	A	B	Stem O.D.
60	62.5	24	6.4
80	84	33	6.4
125	127.5	42	6.4

Range °C	60mm case 40mm stem	80mm case 63mm stem	80mm case 100mm stem	80mm case 150mm stem	125mm case 150mm stem	125mm case 225mm stem
-50/+50				2621924		
-50/+100						
-30/+50						
-30/+100						
-30/+120						
-20/+50						
-20/+100						
-20/+150						
-10/50						
0/50						
0/60						
0/70			2621930			
0/80						
0/100						
0/120	2621221	2621938	2621941	2621943	2622846	2622848
0/150					2622862	2622865
0/200	2621222	2621945	2621944			2622858
0/250						
0/300		2621946			2622867	2622868
0/350						
0/400		2621948	2621952		2622886	2622888
Weight gms	140	210	215	225	420	430
Thermowell		2629903	2629904	2629906	2629906	

Revision: 0306