

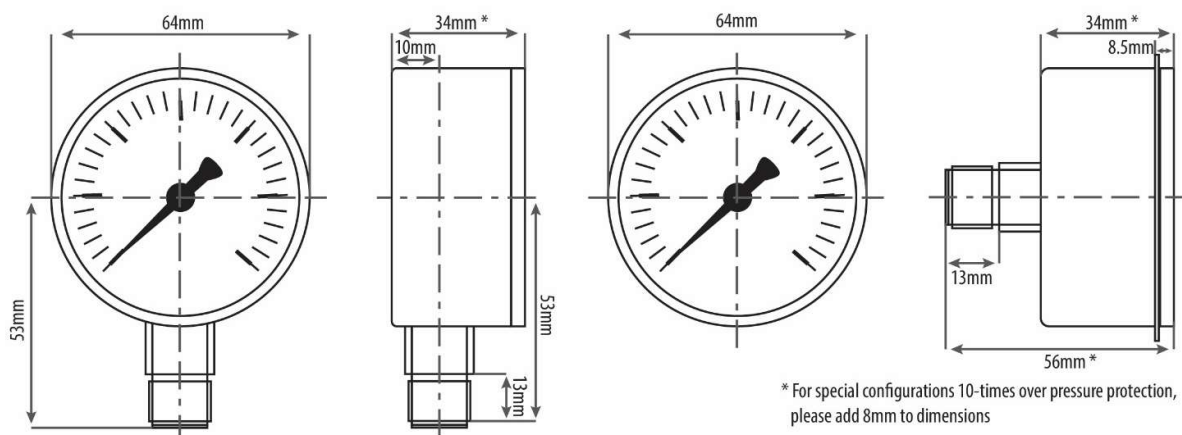


# Low Pressure Gauge

(NOT SUITABLE FOR LIQUIDS)

## Model KPCh

<b>Case and bezel material:</b>	304 Stainless Steel
<b>Connection:</b>	Brass, Copper/Beryllium & Buna-N
<b>Capsule material:</b>	Brass, Copper/Beryllium & Buna-N
<b>Working temperature:</b>	Ambient = -25~60° C, Process = +80° C
<b>Dial:</b>	Black print (kPa) on white background
<b>Ranges:</b>	0~2.5 kPa to 0~60 kPa, pressure & vacuum
<b>Connection:</b>	1/4" BSPT
<b>Window:</b>	Acrylic
<b>Over Range Protection:</b>	130% of full scale
<b>Process Medium</b>	Only suitable for air & gas
<b>Movement:</b>	Brass / German Silver
<b>Pointer:</b>	Aluminium black finish. External zero adjustment
<b>Accuracy:</b>	+/- 1.6% of full scale
<b>Protection Rating:</b>	IP32



Range in kPa	Lower Mount P/N	Centre Back Mount P/N	Range In kPa	Lower Mount P/N	Centre Back Mount P/N
-60~0			0~2.5	1012607	1012649
-40~0			0~4	1012608	
-25~0	1012605		0~6	1012609	1012650*
-16~0			0~10	1012610	1012651*
-10~0	1012601		0~16	1012612	
-6~0			0~25	1012614	
-4~0			0~40	1012616	
-2.5~0			0~60	1012618	
-10/+15	1012603				
-15/+25	1012606				
<b>Weight gms</b>	200	200		200	200
<b>Legend</b>		<b>Accessories</b>		<b>Part No.: 1369997</b>	
* Fitted with front flange (2mm thick) for panel mounting		Back flange for 63mm			

Revision: 0719

The data provided above is for information purposes only and no warranty of accuracy or reliability is given. Ross Brown Sales Pty Limited reserves the right to change or modify this data without prior notice.