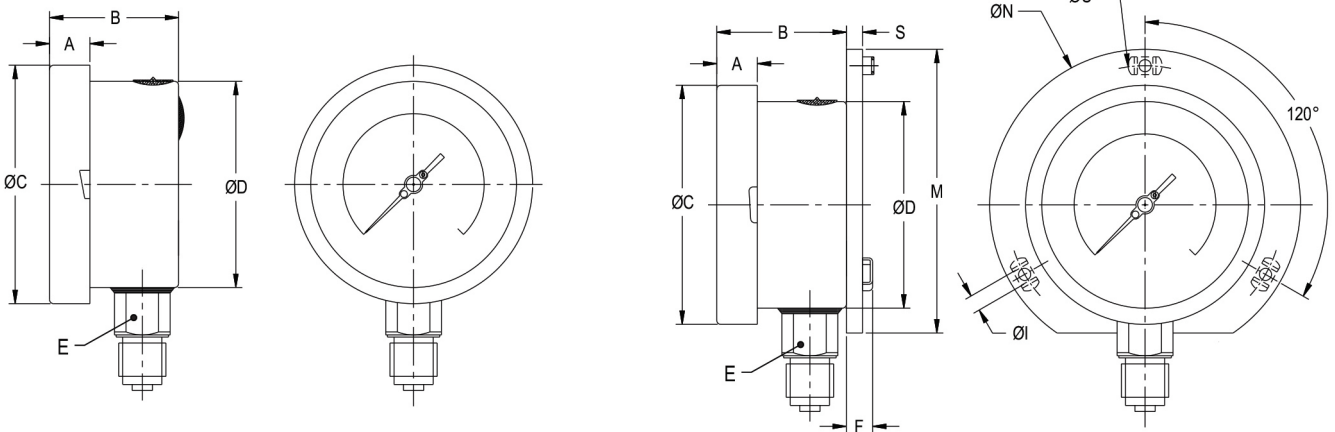




# 100mm LM Stainless Steel Pressure Gauge

<b>Case and bezel material:</b>	316 Stainless Steel Liquid Fillable
<b>Connection:</b>	316L Stainless Steel
<b>Bourdon tube material:</b>	316L Stainless Steel
<b>Working temperature:</b>	Ambient = -25~65°C, Process = +300°C
<b>Dial:</b>	Aluminium, Black Print on White Background
<b>Ranges:</b>	-100~0 kPa to 0~160,000 kPa
<b>Connection:</b>	1/2" NPT Lower Mount
<b>Window:</b>	Shatterproof Safety Glass
<b>Blowout Protection:</b>	Rubber Disc on the Back
<b>Surge Protection:</b>	Internal Restrictor
<b>Over Range Protection:</b>	125% of Full Scale up to 10,000 kPa 115% of Full Scale above 10,000 to 60,000 kPa 110% of Full Scale above 60,000 to 160,000 kPa
<b>Movement:</b>	304 Stainless Steel
<b>Pointer:</b>	Micro-Adjustable
<b>Accuracy:</b>	1.0% of Full Scale
<b>Protection Rating:</b>	IP65



Dimensions in mm

Type	A	B	øC	øD	E	M	S	F	øI	øN	øU
AL-F-2	12.5	48	111	100	22	128	6	14.5	6	134	118

Range (in kPa)	Lower Mount P/N	Range (in kPa)	Lower Mount P/N	Accessories
-100-0	2700300RB	0-2500	2700324RB	Glycerine Filling P/N: <b>2701999</b>
-100/+150	2700303RB	0-4000	2700326RB	Back Flange P/N: <b>2701997RB</b>
-100/+300	2700304RB	0-6000	2700328RB	Polycarbonate Lens P/N: <b>2701992RB</b>
-100/+500	2700305RB	0-8000	2700330RB	Safety Glass Lens P/N: <b>2701991RB</b>
-100/+900	2700307RB	0-10000	2700332RB	Restrictor 0.5 mm P/N: <b>2701988RB</b>
-100/+1500	2700308RB	0-16000	2700334RB	Restrictor 0.7mm P/N: <b>2701989RB</b>
0-60	2700309RB	0-25000	2700336RB	Pig-tail Sch80 316SS 1/2" NPT M & F P/N: <b>2911103RB</b>
0-100	2700310RB	0-40000	2700340RB	Adjustable Restrictor 1/2" NPT M & F P/N: <b>2911130</b>
0-160	On request	0-60000	On request	Block and Bleed valve 1/2" NPT M & F P/N: <b>7068530</b>
0-250	2700314RB	0-100000	On request	Gauge Cock 1/2" NPT M & F P/N: <b>7069000</b>
0-400	2700316RB	0-140000	On request	Diaphragm seals: Please contact us with process details
0-600	2700317RB	0-160000	On request	
0-800	2700318RB	-30inHg/+30psi	2700302RB	Maximum Pointer P/N: <b>2701980RB</b>
0-1000	2700320RB			
0-1600	2700322RB			
<b>Weight gms</b>	640	Add 300 gms for glycerine filling		

The data provided above is for information purposes only and no warranty of accuracy or reliability is given.  
Ross Brown Sales Pty Limited reserves the right to change or modify this data without prior notice.

Revision: 0721