

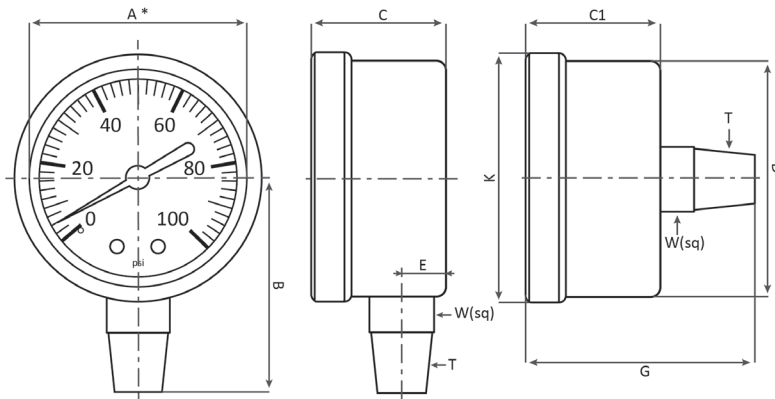


General Purpose Pressure Gauge: Stainless Steel Case

Case and bezel material:	304 Stainless Steel
Connection:	Copper alloy
Bourdon tube material:	Copper alloy
Working temperature:	Ambient = -20~60°C, Process = +70°C
Dial:	Black print kPa, Red print PSI, on White Background
Ranges:	-100~0 kPa to dual scale 0~4,000 kPa/PSI
Connection:	1/8" BSPT, (50 mm lower mount is 1/4" BSPT)
Window:	Polycarbonate
Surge protection:	Available on Request
Movement:	Copper alloy
Pointer:	Aluminium Black Finish
Accuracy:	+/- 2.5% of Full Scale



* Image above is a 40mm gauge.
NB: 50mm range includes RB logo



Dimensions in mm

	A*	B	C	C1	D	E	G	K	W LM	W CBM
40	38.0	37.0	22.0	26.2	40.7	7.0	45.7	42.0	11	14
50	50.3	45.3	27.8	28.0	51.5	10.0	45.2	57.6	14	14

Size Range (in kPa)	40mm Diameter		50mm Diameter		Accessories
	Lower Mount P/N	Centre Back Mount P/N	Lower Mount P/N	Centre Back Mount P/N	
-100-0		1610601	1610860	1612040	40mm panel mount kit P/N: 1610850
-100/+150					
-100/+1000					
-100/+1500					50mm panel mount kit P/N: 1612450
0-100			1610880		
0-160			1610900		
0-250	1610350	1610620	1611080	1612050 3	50mm front flange P/N: 1612452
0-400	1610400	1610650	1611150	1612163	
0-600					
0-800			1611263	1612245 4	Restrictor 0.46mm P/N: 1619915
0-1000	1610520	1610750 1	1611302	1612300 5	
0-1600			1611350	1612400 6	
0-2500			1611390 2, 7	1612460 8	Restrictor 0.25mm P/N: 1619916
0-4000			1611700	1612470	
Weight gms	60	90	120	125	
Legend:					
1. Available with 1/4" BSPT		Part No.: 1610780		5. Available with 1/4" BSPT	
2. Supplied with 1/4" NPT				6. Available with 1/4" BSPT	
3. Available with 1/4" BSPT		Part No.: 1612052		7. Available with 1/8" NPT	
4. Available with 1/4" BSPT		Part No.: 1612250		8. Supplied with 1/4" BSPT	
				Part No.: 1612350	
				Part No.: 1612440	
				Part No.: 1611395	

Revision: 0220

The data provided above is for information purposes only and no warranty of accuracy or reliability is given.
Ross Brown Sales Pty Limited reserves the right to change or modify this data without prior notice.