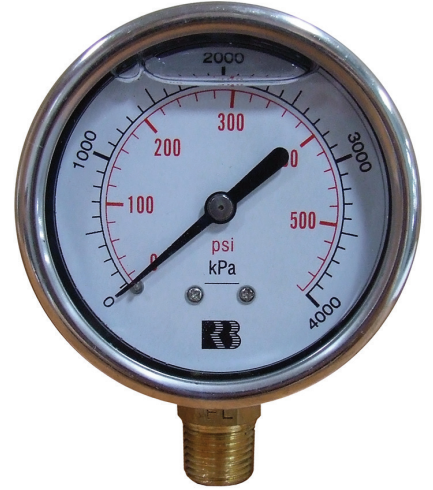


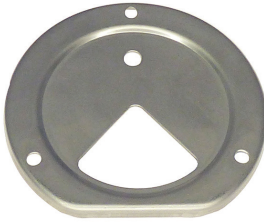


Liquid Filled General Purpose Pressure Gauge

Case and bezel material:	304 Stainless Steel, liquid filled with vent plug
Connection:	Copper alloy
Bourdon tube material:	Copper alloy
Working temperature:	Ambient = -20~60°C, Process = +70°C
Dial:	Black print (kPa) red print (PSI) on white background
Ranges:	-100~0 kPa to dual scale 0~40,000 kPa/PSI
Connection:	1/4" BSPT for 63mm, 3/8" BSPT for 100mm
Window:	Polycarbonate
Surge protection:	Available on Request
Movement:	Copper alloy
Pointer:	Aluminium Black Finish
Accuracy:	+/- 2.5% of Full Scale



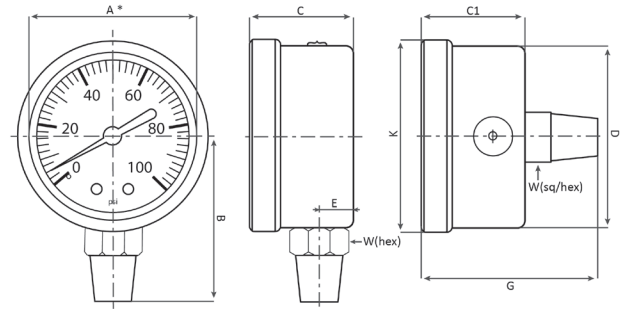
Front Flange



Back Flange



Panel Mount



Dimensions in mm

	A*	B	C	C1	D	E	G	K	W1	W2
63	62.2	54.5	30.0	30.5	60.8	10.0	58.8	68.8	14.0	14.0
100	96.5	78.5	32.0	34.3	98.7	9.8	73.0	104.0	22.0	21.0

Size	63mm Diameter		100mm Diameter		Accessories
Range (in kPa)	Lower Mount P/N	Centre Back Mount P/N	Lower Mount P/N	Centre Back Mount P/N	
-100/+1600	1613880H				63mm panel mount kit for CBM Gauge P/N: 1615950
0-100		1615100			
0-1600		1615402 *		1618690 **	
0-25 bar/360 PSI Isometric	1614263	1615452	1618595		63mm front flange for CBM Gauge P/N: 1615952
0-6000			1618610H		
0-8000	1614350H				Restrictor 0.46mm P/N: 1619915
0-16000	1614450H				Restrictor 0.25mm P/N: 1619916
0-25000		1615700			63mm rubber boot P/N: 1619919
0-40000		1615930			Back Flange, Suit 63mm for LM Gauge P/N: 1369997
0-55000		1615945			
0-60000	1614589				Back Flange, Suit 100mm for LM Gauge P/N: 2701997
Weight gms	225	260	515	335	

For a further range of liquid filled gauges, please see E-Gauge Datasheet

Revision: 0121

The data provided above is for information purposes only and no warranty of accuracy or reliability is given.
Ross Brown Sales Pty Limited reserves the right to change or modify this data without prior notice.