



- 3-phase
- Switching capacity 5.5 kW
- Available with overload relay
- Max. cut-out pressure 45 bar
- 3-pole (N.C.)
- Acc. to EN 60947
- Flange = Die-cast aluminium



Technical Data MDR 5 acc. to EN 60947	
Rated insulation voltage $U_i$	500 V
Motor switching capacity (AC 3) $U_e=240$ V (1~)	2,5 kW
Motor switching capacity (AC 3) $U_e=230$ V (3~)	4,0 kW
Motor switching capacity (AC 3) $U_e=400$ V (3~)	5,5 kW
Motor switching capacity (AC 3) $U_e=500$ V (3~)	4,0 kW
Electrical life (AC 3) Cycles	$> 1 \times 10^5$
Mechanical life Cycles	$> 5 \times 10^5$
Max. electrical cycles Cycles/h	120
Max. mechanical cycles Cycles/h	600
Rated operational current $I_e$ at 400 V AC 3 / 500 V AC 3	16 A / 12 A

Technical Data MDR 5 acc. to EN 60947	
Bursting strength $P_z$ up to 16 bar up to 45 bar	$> 40$ bar $> 60$ bar
Permissible medium temperature Air	- 5...+ 80 °C
Permissible medium temperature Water	+ 80 °C
Degree of Protection acc. to EN 60529	IP 54
Conductor cross-section 1 ... fine stranded cable 1 x / 2 x	2,5 / 2,5 mm <sup>2</sup>
Conductor cross-section 1 ... rigid cable 1 x / 2 x	4 / 4 mm <sup>2</sup>

Diaphragm media resistance MDR 5	
Please see overview for more information.	

## Pressure Switches

Condor Code	ON/OFF switch	Pressure Range In kPa	Connection	Thermal Overload (Amps)	Weight (gms)	Part Number
<b>500 kPa</b>						
MDR5/500 G1/2 2PG16V	-	150-500	½" BSP F	-	870	<b>3200000</b>
<b>800 kPa</b>						
MDR5/800 G1/2 2PG16V	-	200-800	½" BSP F	-	870	<b>3210000</b>
<b>1100 kPa</b>						
MDR5/1100 G1/2 2PG16V	-	200-1100	½" BSP F	-	870	<b>3230000</b>
MDR5/1100K G1/2 2PG16V *	K	200-1100	½" BSP F	-	880	<b>3310000</b>
<b>Switches with thermal overload protection</b>						
MDR5/1100K G1/2 R5/4.2 2PG16V	K	200-1100	½" BSP F	2.4-4.2	1040	<b>3410000</b>
MDR5/1100K G1/2 R5/7.0 2PG16V	K	200-1100	½" BSP F	4.0-7.0	1040	<b>3420000</b>
MDR5/1100K G1/2 R5/10.3 2PG16V	K	200-1100	½" BSP F	6.1-10.3	1040	<b>3440000</b>
MDR5/1100K G1/2 R5/14 2PG16V	K	200-1100	½" BSP F	9-14	1050	<b>3470000</b>
MDR5/1100K G1/2 R5/18 2PG16V	K	200-1100	½" BSP F	11-18	1000	<b>3480000</b>
<b>1600 kPa</b>						
MDR5/1600 G1/2 2PG16V	-	250-1600	½" BSP F	-	870	<b>3240000</b>
MDR5/1600K G1/2 2PG16V *	K	250-1600	½" BSP F	-	870	<b>3320000</b>

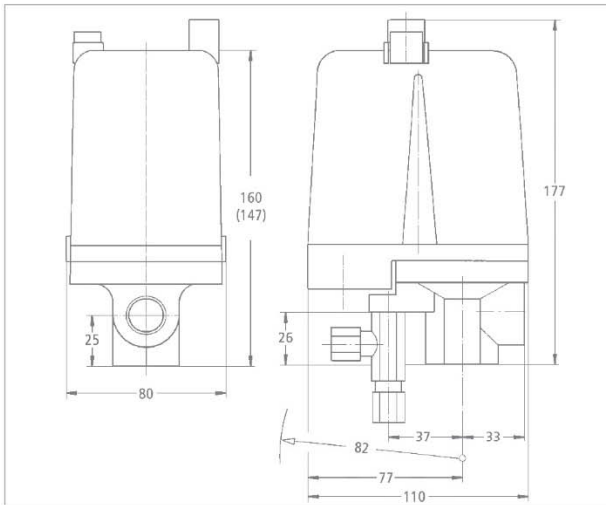
\* On/off switch will only operate when an R5 thermal overload relay is fitted.

The data provided above is for information purposes only and no warranty of accuracy or reliability is given.  
Ross Brown Sales Pty Limited reserves the right to change or modify this data without prior notice.

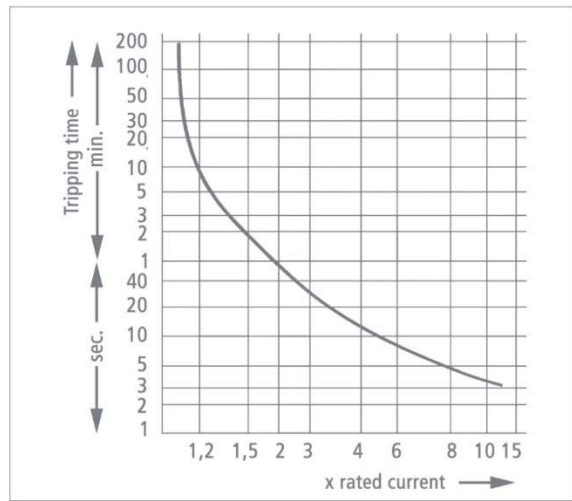
## Pressure Switch Accessories

Condor Code	Description	Weight (gms)	Part Number
	<b>Unloader valves</b>		
EV5E	With screw fitting for 6 mm plastic or copper discharge line	100	3911050
EV5Ei	With screw fitting for 1/4" plastic or copper discharge line	100	3911051
EV5i	Right-angle valve with screw fitting for 1/4" plastic or copper discharge line c/w exhaust stub	100	3911000
	<b>Unloader valves for difficult motor starting conditions</b>		
AEV5i	Right-angle valve with screw fitting for 1/4" plastic or copper discharge line	100	3911100
	<b>Cable Glands</b>		
PG16V	Complete	12	3919210
	<b>Cover</b>		
H5	Cover without push-buttons	130	3917000
H5-K	Cover with push-buttons for manual On/Off switching only functions with R5 thermal overload fitted	130	3918000
	<b>Thermal, 3-pole overload relay</b>		
SK5	Contact block	95	3919150
R5/2.45	1.50 - 2.45 Amps	150	3620000
R5/4.2	2.40 - 4.20 Amps	150	3630000
R5/7.0	4.00 - 7.00 Amps	150	3640000
R5/10.3	6.10 - 10.30 Amps	150	3650000
R5/14	9.00 - 14.00 Amps	150	3660000
R5/18	11.00 - 18.00 Amps	180	3661000
	<b>Spares</b>		
	MDR5/1100 Diaphragm		3913000
	Leg Spring Suit MDR5/500 - 1600		3919155
	Brass Reducer 1/2" x 1/4"	45	4924705

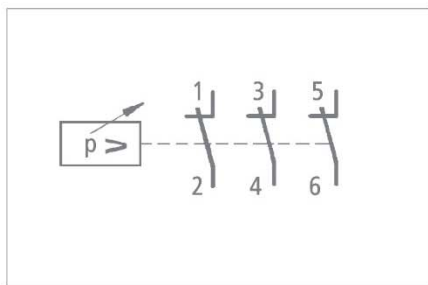
### Dimensions MDR 5



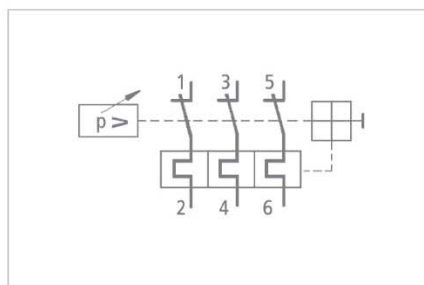
### Tripping Curves R5 (average)



Pressure switch MDR-5 G1/2" + Gauge connection G1/4"



MDR 5

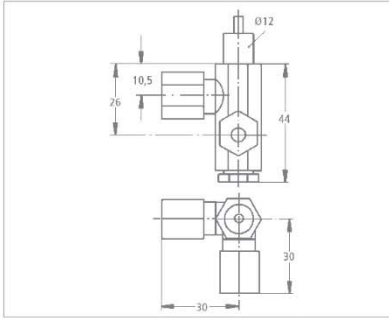


MDR 5K - R5

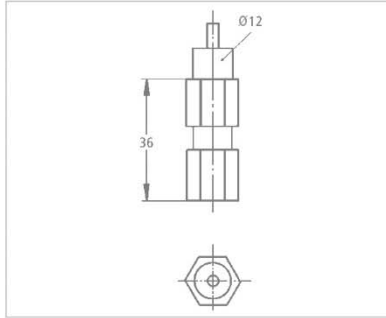
The data provided above is for information purposes only and no warranty of accuracy or reliability is given.  
 Ross Brown Sales Pty Limited reserves the right to change or modify this data without prior notice.

## Dimensions, Accessories

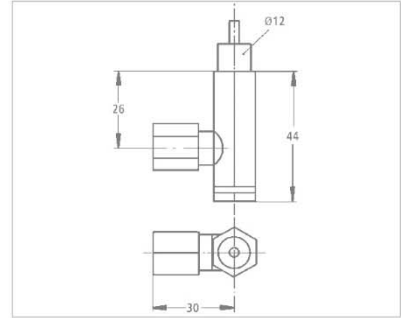
EV 5 / EV 5i / EV 5H



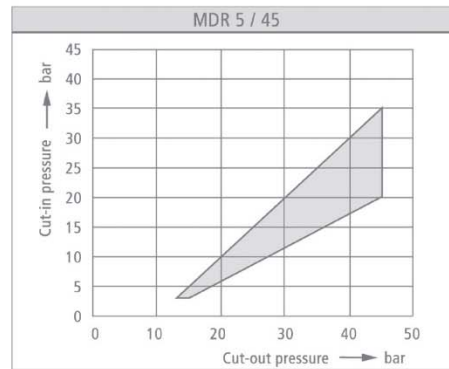
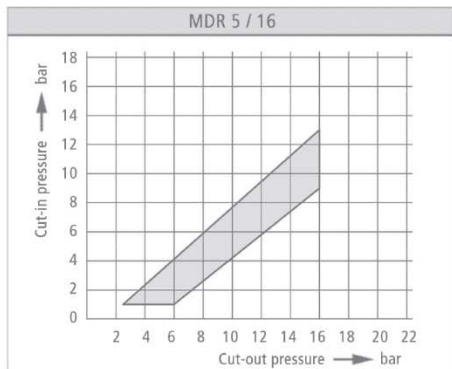
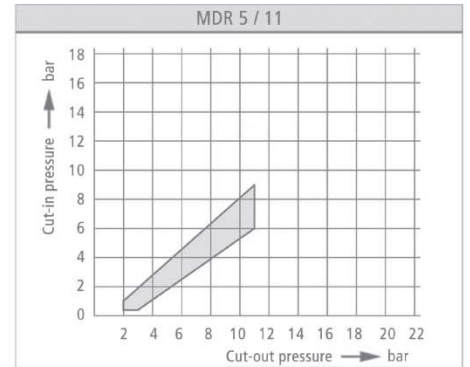
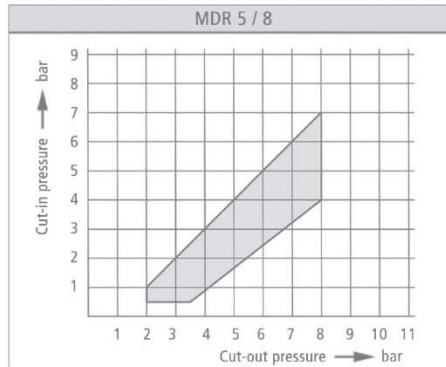
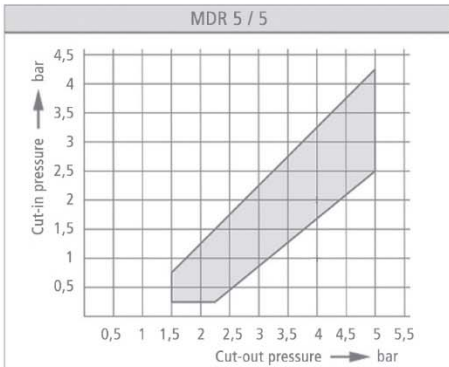
EV 5E / EV 5Ei



AEV 5 / AEV 5i



## Pressure Diagrams MDR 5



The data provided above is for information purposes only and no warranty of accuracy or reliability is given.  
 Ross Brown Sales Pty Limited reserves the right to change or modify this data without prior notice.