



- 3-phase
- Switching capacity 4.0 / 5.5 kW
- Max. cut-out pressure 16 bar
- 3-pole (N.C.)
- Acc. to EN 60947
- 4-way-flange (optional)
- Flange = Die-cast aluminium



Pressure switch MDR 4 SU



- 3-phase
- Switching capacity 2.5 / 4.0 kW
- Max. cut-out pressure 16 bar
- With reversed function
- 3-pole (N.O.)
- Acc. to EN 60947
- Flange = Die-cast aluminium

Technical Data MDR 4 S acc. to EN 60947	
Rated insulation voltage U_i	500 V
Motor switching capacity (AC 3) $U_e=240$ V (1~)	2,5 kW
Motor switching capacity (AC 3) $U_e=230$ V (3~)	4,0 kW
Motor switching capacity (AC 3) $U_e=400$ V (3~)	5,5 kW
Motor switching capacity (AC 3) $U_e=500$ V (3~)	5,5 kW
Electrical life (AC 3) $U_e=240$ V (3~)	$> 1 \times 10^5$
Mechanical life Cycles	$> 5 \times 10^5$
Max. electrical cycles Cycles/h	120

Technical Data MDR 4 S acc. to EN 60947	
Max. mechanical cycles Cycles/h	600
Rated operational current I_e at 400 V AC3/500 VAC 3	16 A / 9 A
Bursting strength Pz	> 35 bar
Permissible medium temperature Air	- 5...+ 80 °C
Permissible medium temperature Water	+ 80 °C
Degree of Protection acc. to EN 60529	IP 44
Conductor cross-section 1 ... fine stranded cable 1 x / 2 x	2,5 / 2,5mm ²
Conductor cross-section 1 ... rigid cable 1 x / 2 x	2,5 / 2,5mm ²

Technical Data MDR 4 SU acc. to EN 60947	
Rated insulation voltage U_i	500 V
Motor switching capacity (AC 3) $U_e=240$ V (1~)	1,5 kW
Motor switching capacity (AC 3) $U_e=230$ V (3~)	2,5 kW
Motor switching capacity (AC 3) $U_e=400$ V (3~)	4,0 kW
Electrical life (AC 3) Cycles	$> 1 \times 10^5$
Mechanical life Cycles	$> 5 \times 10^5$
Max. electrical cycles Cycles/h	120
Max. mechanical cycles Cycles/h	600
Rated operational current I_e at 400 V AC	12 A
Bursting strength Pz	> 35 bar

Technical Data MDR 4 SU acc. to EN 60947	
Permissible medium temperature Air	- 5...+ 80 °C
Permissible medium temperature Water	+ 80 °C
Degree of Protection acc. to EN 60529	IP 44
Conductor cross-section 1 ... fine stranded cable 1 x / 2 x	2,5 / 2,5mm ²
Conductor cross-section 1 ... rigid cable 1 x / 2 x	2,5 / 2,5mm ²

Diaphragm media resistance MDR 4
Please see overview for more information

The data provided above is for information purposes only and no warranty of accuracy or reliability is given.
Ross Brown Sales Pty Limited reserves the right to change or modify this data without prior notice.

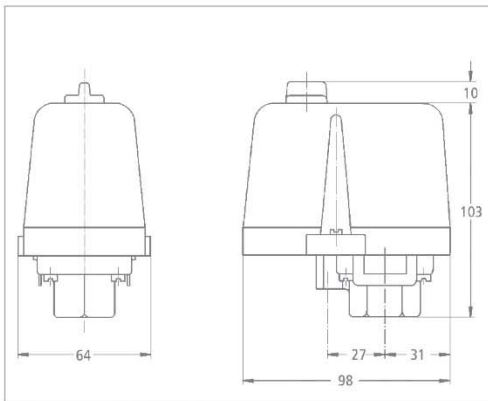
Pressure Switches

Condor Code	ON/OFF switch	Pressure Range In kPa	Connection	Weight (gms)	Part Number
600 kPa					
MDR4S /600 G1/4 1PG11Z	-	150-600	¼" BSP F	490	3100000
1100 kPa					
MDR4S /1100 G1/4 1PG11Z	-	400-1100	¼" BSP F	490	3110000
MDR4S /1100 G1/2+M-1/4 1PG11Z	-	400-1100	¼" gauge + 1/2" BSP F	490	3115000
MDR4S /1100 G1/4 EV4i 1PG11Z	-	400-1100	¼" BSP F	530	3120000
MDR4S /1100 G1/4 EA 1PG11Z	EA	400-1100	¼" BSP F	530	3121000
MDR4S /1100 G1/4 EA EV4i 1PG11Z	EA	400-1100	¼" BSP F	530	3130000
MDR4S/1100 G1/4 EA EAS4 EV4-M5 2PG13.5Z	EA	400-1100	¼" BSP F	540	3130050
1600 kPa					
MDR4S /1600 G1/4 1PG11Z	-	600-1600	¼" BSP F	490	3140000
MDR4S /1600 G1/4 EA AEV4 2PG11Z	EA	600-1600	¼" BSP F	490	3140012
MDR4 SU (Reverse Acting)					
MDR4SU/600 G1/4 -	-	150-600	¼" BSP F	480	3149000
MDR4SU/1100 G1/4 -	-	400-1100	¼" BSP F	480	3149200
MDR4SU/1600 G1/4 -	-	600-1600	¼" BSP F	480	3149400

Pressure Switch Accessories

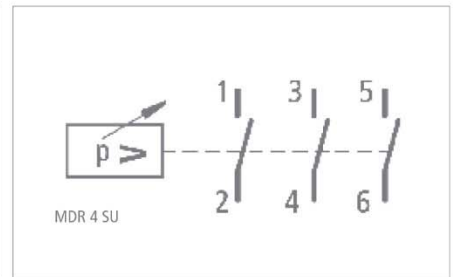
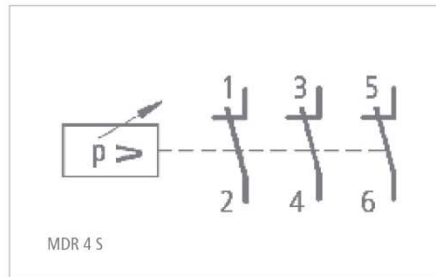
Condor Code	Description	Weight (gms)	Part Number
Unloader valves			
EV4i	With screw fitting for ¼" plastic or copper discharge line	25	3910000
EV4-M5	With screw fitting for 6 mm plastic or copper discharge line, mounting of silencer possible, port with M5 thread	25	On Request
Unloader valves for difficult motor starting conditions			
AEV4	With screw fitting for 6 mm plastic or copper discharge line	25	3910100
AEV4W	Right-angle valve with screw fitting for 6 mm plastic or copper discharge line	15	On Request
Cable Glands			
PG11Z	With strain Relief	12	3919200
Cover			
H4 S	Cover without rotary knob for MDR4 S	70	On Request
H4S-EA	Cover with rotary knob for manual On/Off switching for MDR 4S	70	3915000

Dimensions MDR 4



Pressure switch MDR 4

Circuit Diagrams MDR 4



The data provided above is for information purposes only and no warranty of accuracy or reliability is given.
 Ross Brown Sales Pty Limited reserves the right to change or modify this data without prior notice.

Dimensions, Accessories MDR 4

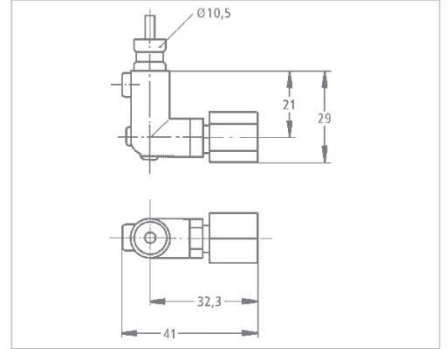
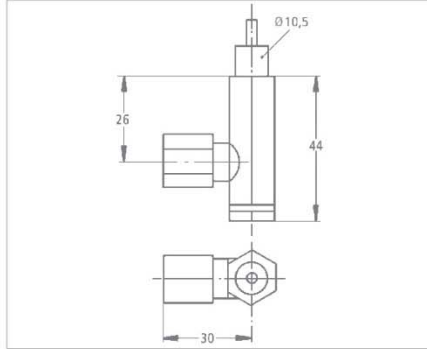
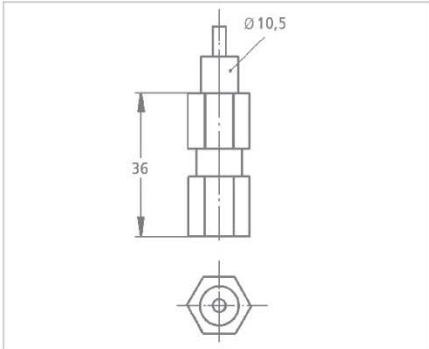
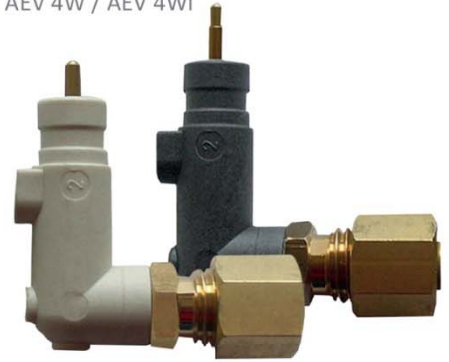
EV 4



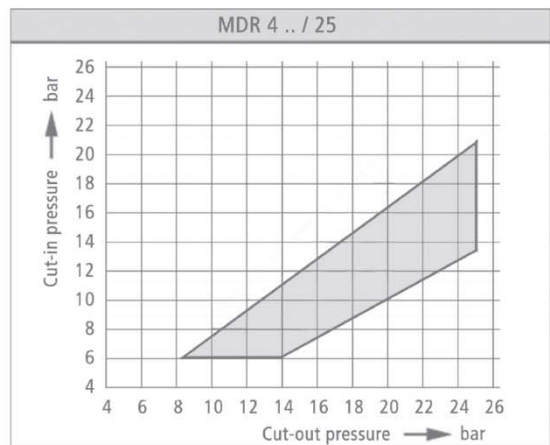
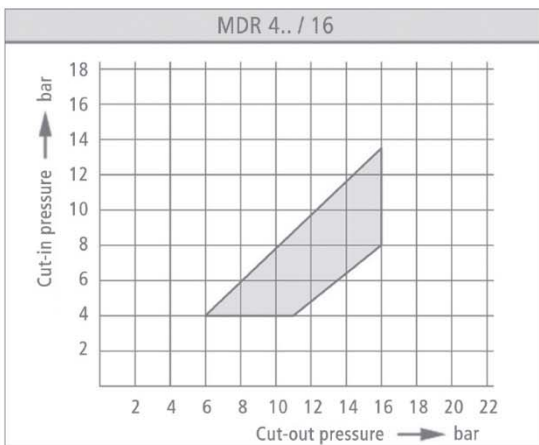
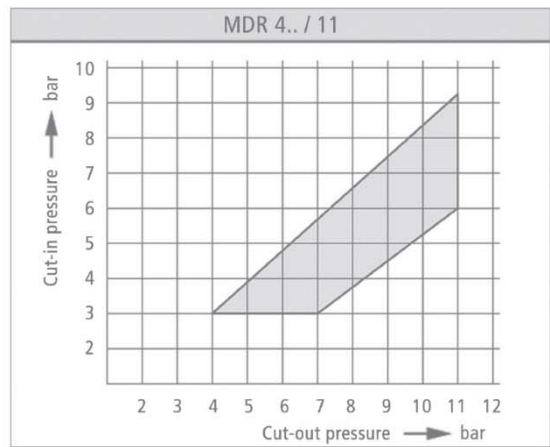
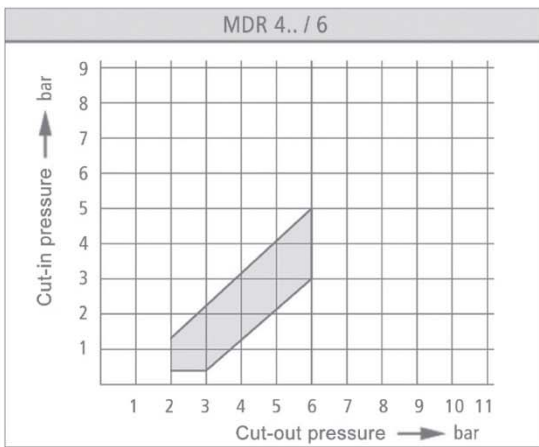
AEV 4



EV 4W / EV4Wi
AEV 4W / AEV 4Wi



Pressure Diagrams MDR 4



The data provided above is for information purposes only and no warranty of accuracy or reliability is given.
Ross Brown Sales Pty Limited reserves the right to change or modify this data without prior notice.