



- 3-phase
- Switching capacity 7.5 (11) kW / 20 HP
- Available with overload relay
- Max. cut-out pressure 35 bar
- 3-pole (N.C.)
- Acc. to EN 60947
- UL / CSA-approval optional
- Flange = Die-cast aluminium
- Available with scale
- Available with auxiliary switch

Technical Data MDR 3 acc. to EN 60947, UL / CSA

Rated insulation voltage $U_i$	690 V
Motor switching capacity (UL 508, CSA 22.2) $U_e=120$ V (1~)	2 HP
Motor switching capacity (AC3) $U_e=240$ V (1~)	2,2 kW
Motor switching capacity (UL 508, CSA 22.2) $U_e=240$ V (1~)	3 HP
Motor switching capacity (AC 3) $U_e=240$ V (3~)	5,5 kW
Motor switching capacity (UL 508, CSA 22.2) $U_e=240$ V (3~)	7,5 HP
Motor switching capacity (AC 3) $U_e=400$ V (3~)	7,5/11* kW
Motor switching capacity (UL 508, CSA 22.2) $U_e=480$ V (3~)	15 HP
Motor switching capacity (AC 3) $U_e=500$ V (3~)	7,5/11* kW
Motor switching capacity (UL 508, CSA 22.2) $U_e=600$ V (3~)	20 HP
Motor switching capacity (AC 3) $U_e=690$ V (3~)	7,5/15* kW

Technical Data MDR 3 acc. to EN 60947, UL / CSA

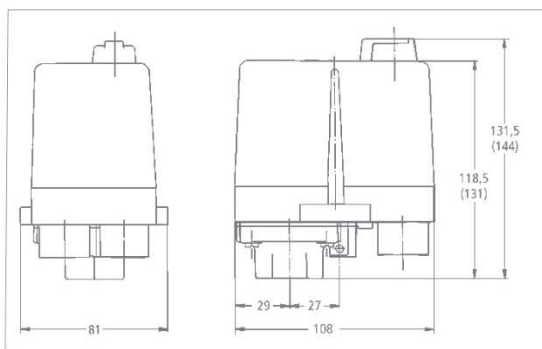
Electrical life (AC 3) Cycles	$> 1 \times 10^5$
Mechanical life Cycles	$> 1 \times 10^6$
Max. electrical cycles cycles / h	120
Max. mechanical cycles cycles / h	600
Rated operational current $I_e$ the bei 690 V AC 3	24 A
Bursting strength Pz	$\leq 16$ > 40 bar $\geq 25$ > 60 bar
Permissible medium temperature Air	-5...+ 80 °C
Permissible medium temperature Water	+ 80 °C
Degree of Protection acc to EN 60529	IP 54
Conductor cross-section 1 .. fine stranded cable 1 x / 2 x	4 / 2,5 mm <sup>2</sup>
Conductor cross-section 1 .. rigid cable 1 x / 2 x	6 / 4 mm <sup>2</sup>

Diaphragm media resistance MDR 3

Please see overview for further information

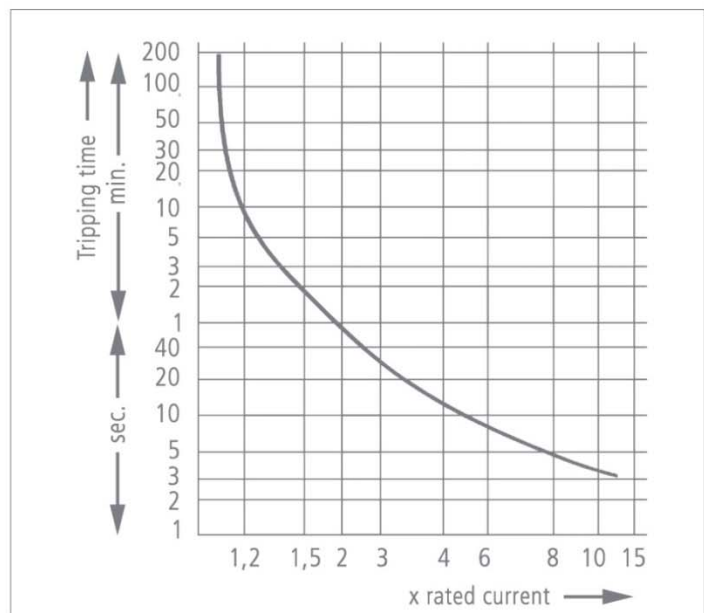
\*) with Arc-chamber SK..H on request

### Dimensions



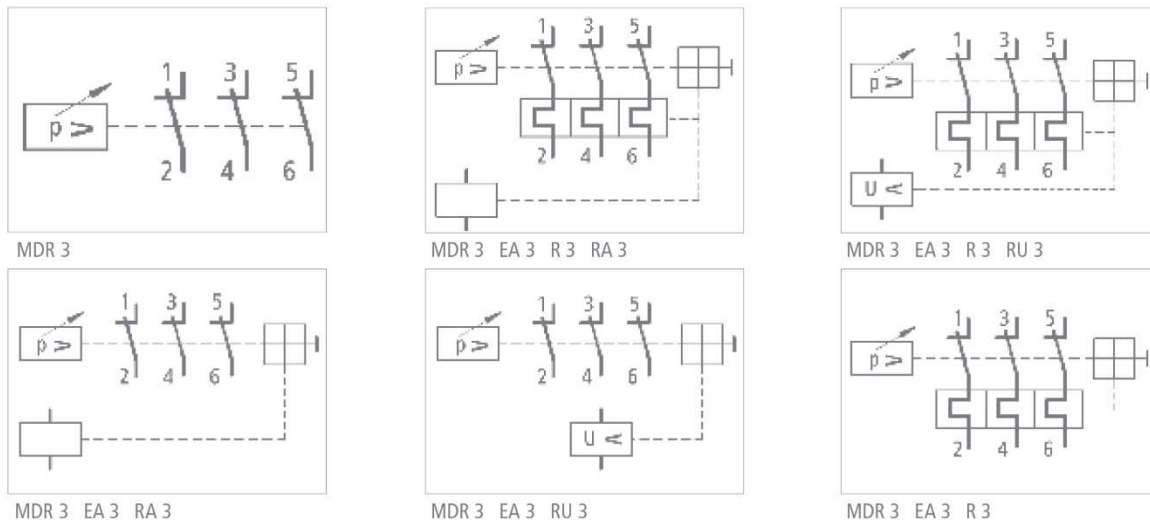
Pressure switch MDR-3

### Tripping Curves



The data provided above is for information purposes only and no warranty of accuracy or reliability is given.  
Ross Brown Sales Pty Limited reserves the right to change or modify this data without prior notice.

## Circuit Diagrams



## Pressure Switches

Condor Code	ON / OFF switch	Pressure Range In kPa	Connection	Thermal Overload (Amps)	RM Diaphragm	Weight (gms)	Part Number
<b>600 kPa</b>							
MDR3/600 G1/4 2PG11Z	-	130-600	¼" BSP F	-	-	680	<b>3031010</b>
<b>1100 kPa</b>							
MDR3/1100 G1/4 EA3 2PG13.5Z	EA	400-1100	¼" BSP F	-	-	680	<b>3031021</b>
MDR3/1100 F4-1/4 EA3 2PG13.5Z	EA	400-1100	F4 X ¼" BSP F	-	-	710	<b>3031022</b>
<b>Switches with thermal overload protection</b>							
MDR3/1100 F4-1/4 EA3 R3/4 EV3WS 2PG13.5Z	EA	400-1100	F4 x ¼" BSP F	2.5-4.0	-	750	<b>3031129</b>
MDR3/1100 G1/4 EA3 R3/6.3 EV3Wi 2PG13.5Z	EA	400-1100	¼" BSP F	4.0-6.3	-	740	<b>3031105</b>
MDR3/1100 G1/4 EA3 R3/6.3 EV3i 2PG13.5Z	EA	400-1100	¼" BSP F	4.0-6.3	-	740	<b>3031120</b>
MDR3/1100 F4-1/4 EA3 R3/6.3 EV3WS 2PG13.5Z	EA	400-1100	F4 x ¼" BSP F	4.0-6.3	-	750	<b>3031130</b>
MDR3/1100 G1/4 EA3 R3/10 EV3i 2PG13.5Z	EA	400-1100	¼" BSP F	6.3-10.0	-	740	<b>3031121</b>
MDR3/1100 G1/4 EA3 R3/10 EV3WS 2PG13.5Z	EA	400-1100	¼" BSP F	6.3-10.0	-	740	<b>3031152</b>
MDR3/1100 F4-1/4 EA3 R3/10 EV3WS 2PG13.5Z	EA	400-1100	F4 x ¼" BSP F	6.3-10.0	-	750	<b>3031131</b>
MDR3/1100RM G1/4 EA3 R3/10 EV3Wi 2PG13.5Z	EA	400-1000	¼" BSP F	6.3-10.0	YES	740	<b>3031106</b>
MDR3/1100 G1/4 EA3 R3/16 EV3i 2PG13.5Z	EA	400-1100	¼" BSP F	10-16	-	740	<b>3031122</b>
MDR3/1100 F4-1/4 EA3 R3/16 EV3WS 2PG13.5Z	EA	400-1100	F4 X ¼" BSP F	10-16	-	770	<b>3031132</b>
MDR3/1100RM G1/4 EA3 R3/16 EV3Wi 2PG13.5Z	EA	400-1000	¼" BSP F	10-16	YES	740	<b>3031107</b>
MDR3/1100RM G1/4 EA3 R3/16H EV3Wi 2PG13.5Z	EA	400-1000	¼" BSP F	10-16	YES	740	<b>3031107C</b>
MDR3/1100 G1/4 EA3 R3/20 EV3i 2PG13.5Z	EA	400-1100	¼" BSP F	16-20	-	740	<b>3031123</b>
MDR3/1100 F4-1/4 EA3 R3/20 EV3WS 2PG13.5Z	EA	400-1100	F4 x ¼" BSP F	16-20	-	750	<b>3031133</b>
MDR3/1100RM G1/4 EA3 R3/20 EV3Wi 2PG13.5Z	EA	400-1000	¼" BSP F	16-20	YES	740	<b>3031108</b>
MDR3/1100 G1/4 EA3 R3/24 EV3i 2PG13.5Z	EA	400-1100	¼" BSP F	20-24	-	740	<b>3031124</b>
MDR3/1100RM G1/4 EA3 R3/24 EV3Wi 2PG13.5Z	EA	400-1000	¼" BSP F	20-24	YES	740	<b>3031109</b>
MDR3/1100 G1/4 EA3 R3/30 EV3i 2PG13.5Z	EA	400-1100	¼" BSP F	22-30	-	740	<b>3031125</b>
<b>Switches with thermal overload and shunt release</b>							
MDR3/1100 F4-1/4 EA3 R3/10 RA/230 EV3Wi 2PG13.5Z	EA	400-1100	F4 X ¼" BSP F	6.3-10.0	-	870	<b>3031116</b>
MDR3/1100 F4-1/4 EA3 R3/16 RA/230 EV3Wi 2PG13.5Z	EA	400-1100	F4 X ¼" BSP F	10-16	-	870	<b>3031117</b>
MDR3/1100 F4-1/4 EA3 R3/20 RA/230 EV3Wi 2PG13.5Z	EA	400-1100	F4 X ¼" BSP F	16-20	-	870	<b>3031118</b>
<b>1600 kPa</b>							
MDR3/1600 G1/4 EA3 2PG13.5Z	EA	600-1600	¼" BSP F	-	-	680	<b>3031031</b>
MDR3/1600 F4-1/4 EA3 2PG13.5Z	EA	600-1600	F4 X ¼" BSP F	-	-	710	<b>3031032</b>
MDR3/1600 F4-1/4 EA3 EV3i 2PG13.5Z	EA	600-1600	F4 X ¼" BSP F	-	-	710	<b>3031033</b>
<b>Switches with thermal overload protection</b>							
MDR3/1600 G1/4 EA3 R3/10 EV3WS 2PG13.5Z	EA	600-1600	¼" BSP F	6.3-10.0	-	740	<b>3031036</b>
MDR3/1600 G1/4 EA3 R3/16 EV3WS 2PG13.5Z	EA	600-1600	¼" BSP F	10-16	-	740	<b>3031037</b>
<b>2500 kPa</b>							
MDR3/2500 G1/4 EA3 2PG13.5Z	EA	750-2500	¼" BSP F	-	-	710	<b>3031041</b>
<b>3500 kPa</b>							
MDR3/3500 G1/2 EA3 2PG13.5Z	EA	1200-3500	½" BSP F	-	-	700	<b>3031043</b>

The data provided above is for information purposes only and no warranty of accuracy or reliability is given.  
 Ross Brown Sales Pty Limited reserves the right to change or modify this data without prior notice.

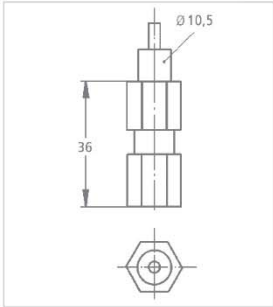
## Pressure Switch Accessories

Condor Code	Description	Weight (gms)	Part Number
	<b>Unloader valves</b>		
EV3	With screw fitting for 6 mm plastic or copper discharge line	25	On Request
EV3i	With screw fitting for ¼" plastic or copper discharge line	25	<b>3909020</b>
EV3Wi + ST3	Right-angle valve with screw fitting for ¼" plastic or copper discharge line	18	<b>3909031</b>
EV3WS	Right-angle valve with quick-connect for 6 mm plastic discharge line	10	<b>3909030</b>
	<b>Unloader valves for difficult motor starting conditions</b>		
AEV3	With screw fitting for 6 mm plastic or copper discharge line	25	On Request
AEV3WS	Right-angle valve with quick-connect for 6 mm plastic discharge line	18	<b>3909032</b>
	<b>Cable Glands</b>		
PG13.5Z	With strain Relief	12	<b>3919205</b>
PG16V	Complete	12	<b>3919210</b>
	<b>Cover</b>		
H3	Cover without rotary knob	100	<b>3032920</b>
H3-EA	Cover with rotary knob for manual On/Off switching	100	<b>3032922</b>
	<b>Thermal, 3-pole overload relay</b>		
SK3	Contact block without lock mechanism (supplied as standard with MDR3...)	90	<b>3032930</b>
SK3-S	Contact block with lock mechanism (supplied as standard with MDR3...+EA)	110	<b>3032932</b>
SK R3/1.0	0.63 - 1.00 Amps	145	On Request
SK R3/1.6	1.00 - 1.60 Amps	145	<b>3032802</b>
SK R3/2.5	1.60 - 2.50 Amps	145	<b>3032803</b>
SK R3/4.0	2.50 - 4.00 Amps	145	<b>3032804</b>
SK R3/6.3	4.00 - 6.30 Amps	145	<b>3032805</b>
SK R3/10	6.30 - 10.00 Amps	145	<b>3032806</b>
SK R3/16	10.00 - 16.00 Amps	145	<b>3032807</b>
SK R3/20	16.00 - 20.00 Amps	145	<b>3032808</b>
SK R3/24	20.00 - 24.00 Amps	145	<b>3032809</b>
SK R3/30/2	22.00 - 30.00 Amps, 240 Volts, 2 pole	145	<b>3032810</b>
SK R3H/16	10.00 - 16.00 Amps, (H type for higher switching capacity)	145	<b>3032807C</b>
SK R3H/20	16.00 - 20.00 Amps, (H type for higher switching capacity)	145	<b>3032808C</b>
SK R3H/24	20.00 - 24.00 Amps, (H type for higher switching capacity)	145	On Request
	<b>Under voltage and shunt releases</b>		
RU3/230-50	Under voltage release 230 V, 50 Hz	100	<b>3032924</b>
RU3/400-50	Under voltage release 400 V, 50 Hz	100	<b>3032925</b>
RA3/480-60	Shunt release 480V, 60 Hz	100	On Request
RA3/240-60	Shunt release 240V, 60 Hz	100	On Request
RA3/230-50	Shunt release 230V, 50 Hz	100	<b>3032820</b>
RA3/110-50	Shunt release 110V, 50 Hz	100	On Request
RA3/24-50	Shunt release 24V, 50 Hz	100	On Request
	<b>Hourmeter Kit</b>		
H3-EA-B230	Hourmeter	230	<b>3032950</b>
H3-EA-B400	Hourmeter	230	<b>3032951</b>
	<b>Miscellaneous</b>		
DPA Board	Phase sequence control, phase failure control, under voltage release, other external contact (eg, temperature switch)	60	<b>3032960</b>
	<b>Spares</b>		
	¼" Nut & olive	25	<b>3909099</b>
	6mm nut & olive	25	<b>3909098</b>

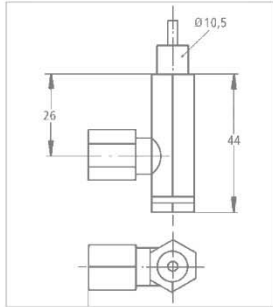
The data provided above is for information purposes only and no warranty of accuracy or reliability is given.  
 Ross Brown Sales Pty Limited reserves the right to change or modify this data without prior notice.

### Dimensions, Accessories MDR 3

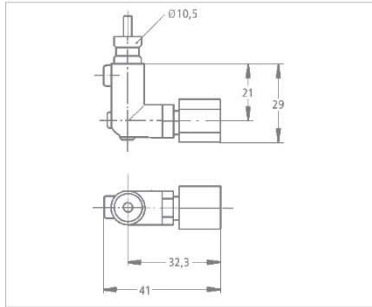
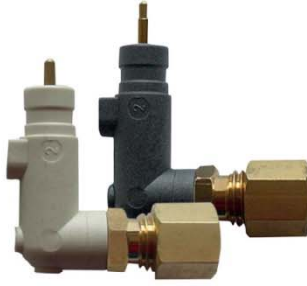
EV 3 / EV 3i



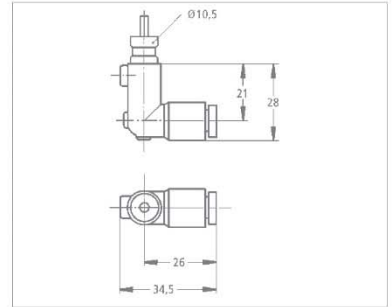
AEV 3



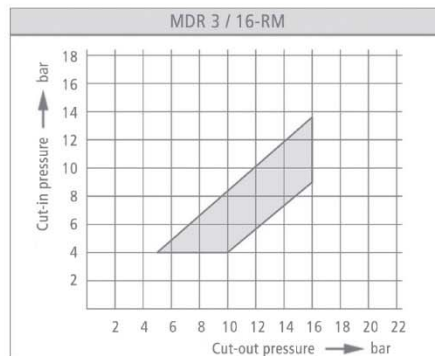
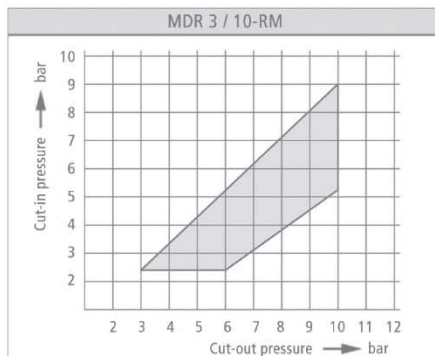
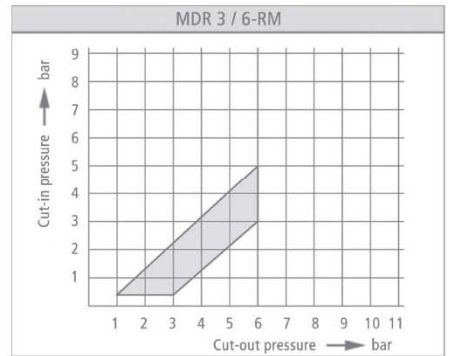
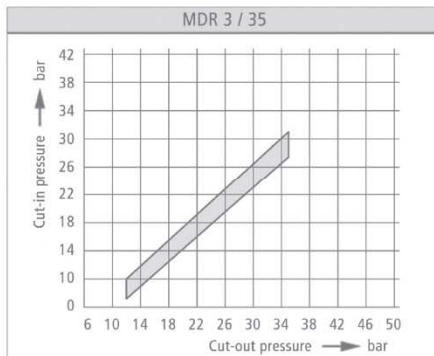
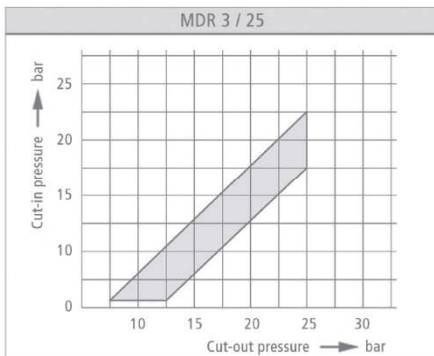
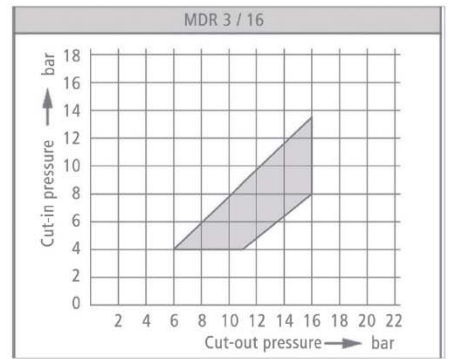
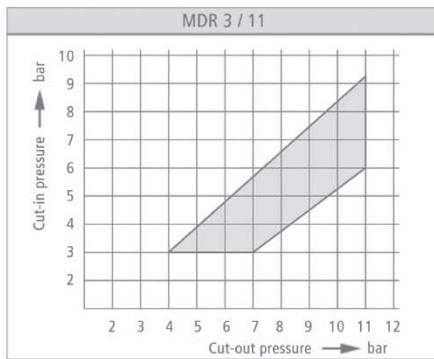
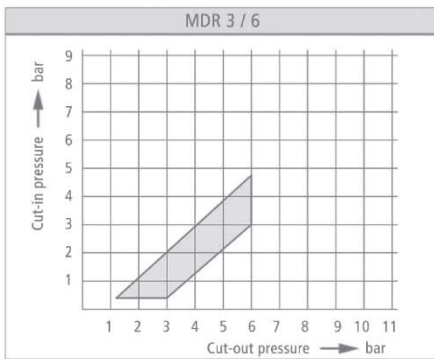
EV 3W / EV 3Wi  
AEV 3W / AEV 3Wi



EV 3WS / AEV 3WS



### Pressure Diagrams



The data provided above is for information purposes only and no warranty of accuracy or reliability is given.  
Ross Brown Sales Pty Limited reserves the right to change or modify this data without prior notice.