

Control pressure switch MDR 43



- Max. cut-out pressure 16 bar
- Transparent cover
- 1 N.C. + 1 N.O.
- Acc. to EN 60947
- Flange = Die-cast aluminium



Technical Data MDR 43 acc. to EN 60947	
Rated insulation voltage U_i	500 V
Rated operational voltage U_e (AC 15)	250 V
Rated operational current I_{the} (AC 15)	8 A
Rated thermal current I_e (max.)	10 A
Mechanical life (AC 15) Cycles	$> 1,5 \times 10^5$
Mechanical life Cycles	$> 1 \times 10^6$
Max. electrical cycles Cycles/h	120
Max. mechanical cycles Cycles/h	600
Bursting strength P_z	> 60 bar

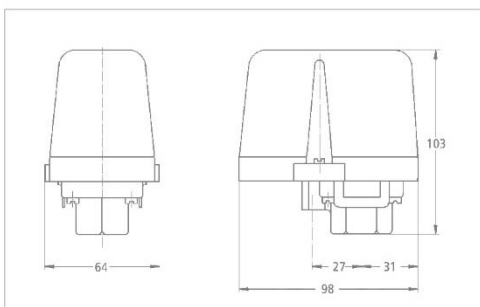
Technical Data MDR 43 acc. to EN 60947	
Permissible medium temperature Air	- 30...+ 80 °C
Permissible medium temperature Water	+ 80 °C
Conductor cross-section 1 .. flexible cable 1 x / 2 x	2,5 / 2,5mm ²
Conductor cross-section 1 ... rigid cable 1 x / 2 x	2,5 / 2,5mm ²
Protection acc. to EN 60520	IP 44

Diaphragm media resistance MDR 43
Please see overview for more information.

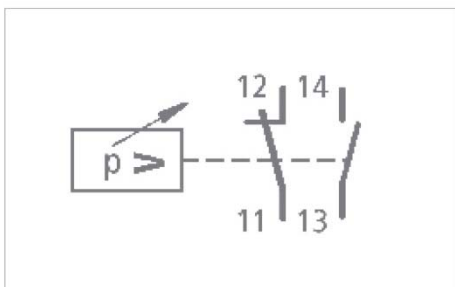
Pressure Switches

Condor Code	ON/OFF switch	Pressure Range In kPa	Connection	Weight (gms)	Part Number
MDR43/300 G1/4	-	50-300	¼" BSP F	440	3144750
MDR43/600 G1/4	-	250-600	¼" BSP F	460	3145000
MDR43/1100 G1/4	-	500-1100	¼" BSP F	480	3145200
MDR43/1600 G1/4	-	800-1600	¼" BSP F	500	3145400

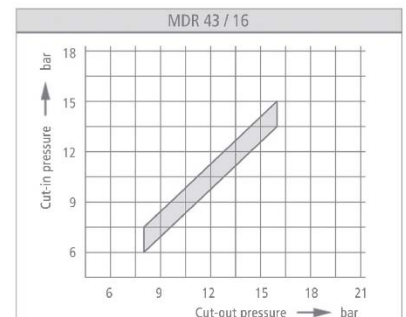
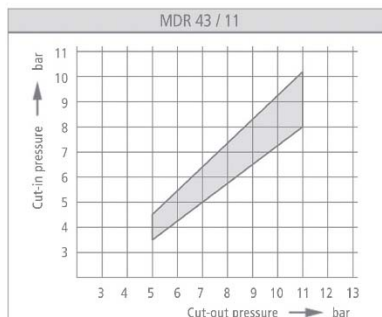
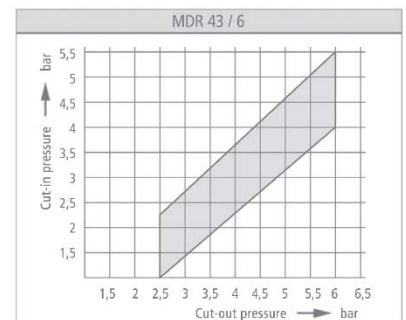
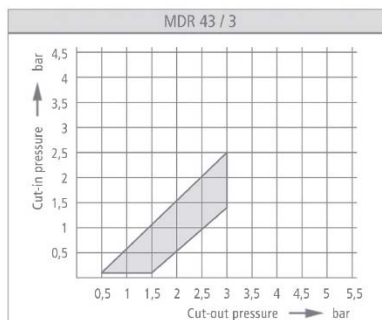
Dimensions / Circuit Diagrams



Pressure switch MDR 43



Pressure Diagrams MDR 43



The data provided above is for information purposes only and no warranty of accuracy or reliability is given.
 Ross Brown Sales Pty Limited reserves the right to change or modify this data without prior notice.