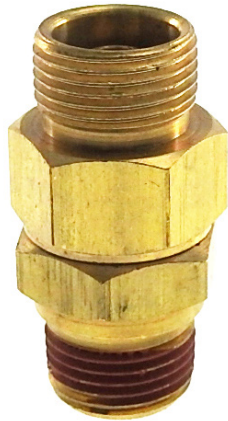




UNLOADING CHECK VALVES Load Genie®



"CA" Series Load Genie
For Tube Compression Fitting



"PA" Series Load Genie
For Pipe

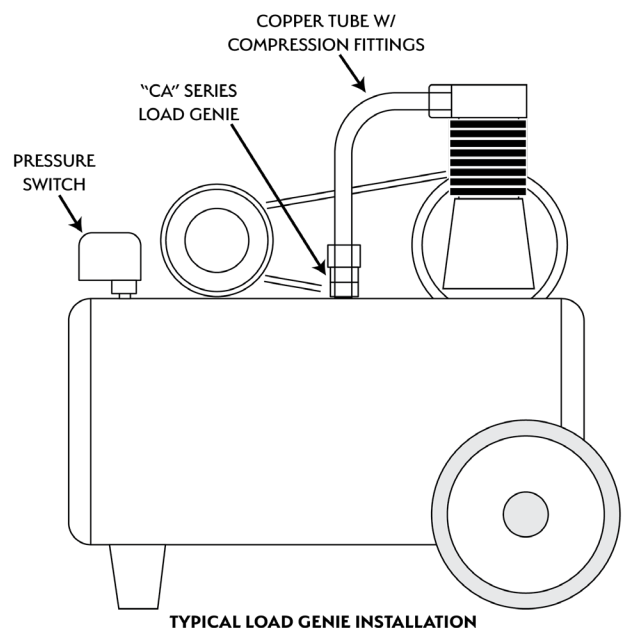
A compressor running in a "start-stop" mode operates more efficiently if the pressure trapped in the compressor head and discharge line is released after each pump-up cycle. This allows smoother starts and the use of a motor with lower starting torque.

The most convenient way to release this trapped pressure is to use a Load Genie combination check and unloader valve, available only from Control Devices, Inc. Simply install this unique valve in the compressor discharge line, and the Load Genie does the rest!

The Load Genie senses air flow when the compressor is running and closes an unloading orifice port. When airflow stops (such as when the pressure switch turns off the motor), the Load Genie opens the unloading orifice to release head pressure, and the built-in check valve keeps receiver air from leaking back into the discharge line and compressor head.

Alternative methods rely on external unloading valves mounted on the pressure switch or compressor. These external unloading valves are connected with appropriate tubing and fittings to the compressor discharge line or compressor head. A tank check valve is also required. These systems then consist of the unloading valve, connecting tubing with appropriate fittings, and a tank check valve. Labour is also required to install all the components.

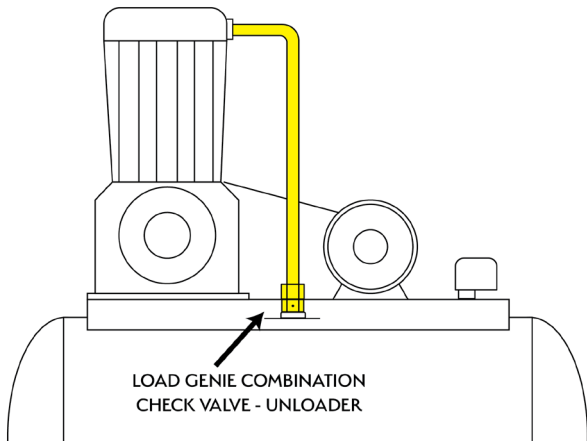
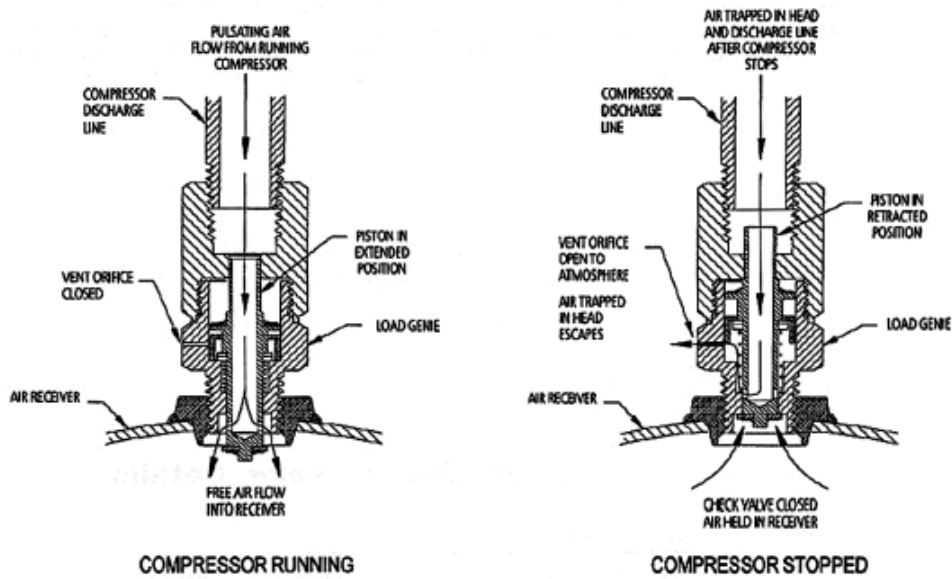
Compare this to the single component installation of a load Genie and the advantages are apparent.



*The data provided above is for information purposes only and no warranty of accuracy or reliability is given.
Ross Brown Sales Pty Limited reserves the right to change or modify this data without prior notice.*

UNLOADING CHECK VALVES

Load Genie®



Load Genie

Load Genie combination check valve-unloader replaces other forms of discharge line unloading as well as receiver check valve. Simple installation requires no additional tubing connections or special pressure switches.

Automatically vents discharge line whenever flow stops, including power interruptions.

Model	Compression Fitting	NPT Outlet Male	Min & Max Flow SCFM	Dimensions (mm)		Weight (gms)	Part Number
				Length	Hex		
CA-12	1/2" O.D. tube	3/8"	3-12	42.9	20.6	71	4000200

Model	NPT Inlet Female	NPT Outlet Male	Min & Max Flow SCFM	Dimensions (mm)		Weight (gms)	Part Number
				Length	Hex		
PA-12	3/8" NPT	3/8"	3-12	46.0	20.6	85	4000300
PA-24	1/2" NPT	1/2"	8-24	57.1	25.4	170	4000500
PA-48	3/4" NPT	3/4"	15-48	60.3	30.2	227	4000700

ORDER GUIDE

1. It is most important to match the rated flow range of the Load Genie with the compressor flow capacity. Also keep in mind that as the compressor discharge goes up, the flow goes down. If the flow capacity of the compressor drops below the minimum rated flow of the Load Genie, the valve will react as if the compressor had stopped, and will vent the discharge line. Therefore, it is better to size the Load Genie towards the maximum end its rated flow range.
2. Next, select the desired inlet configuration, tubing compression fitting or internal pipe thread. Please note that, based on the flow selection criteria above, the inlet and outlet sizes may not match the fitting sizes found in the compressor and tank. In this case, use appropriate reducers available in any hardware store.
3. Order by part number.

The data provided above is for information purposes only and no warranty of accuracy or reliability is given. Ross Brown Sales Pty Limited reserves the right to change or modify this data without prior notice.