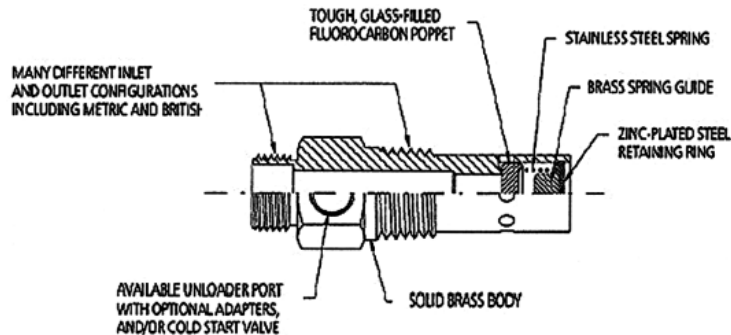




# IN-TANK CHECK VALVES Super-Chek® Check Valves

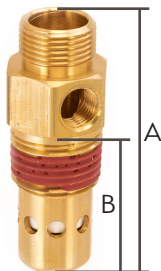
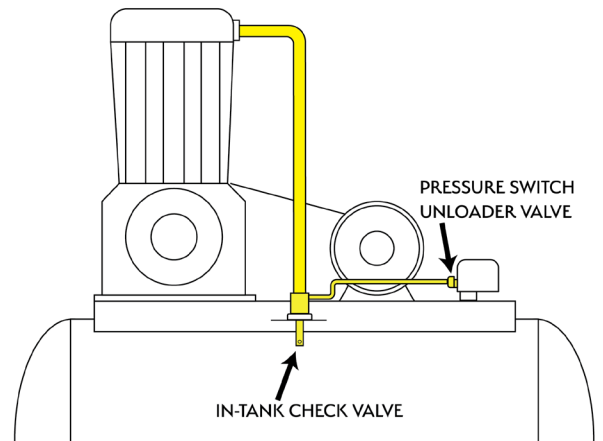
The Super-Chek design has been proven over the last 15 years to be the standard for air compressor in-tank check valves. One-piece brass bodies, stainless steel springs, and glass-filled fluropolymer poppets all add up to long term reliability, while the eight discharge holes insure quiet operation.

- Valves may be disassembled for cleaning or repair.
- Valves are 100% tested for backflow leakage performance.
- 450 PSI (3103 kPa) max pressure.
- 205°C max temperature.



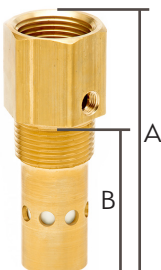
## PRESSURE SWITCH UNLOADER

Special pressure switch with unloader valve required. Valve actuated by pressure switch vents discharge line when switch reaches cut-out point. Requires external tubing connection between discharge line and pressure switch valve. Will not vent discharge line if power is interrupted during pump up cycle. Also requires receiver check valve.



### Compression Fitting Inlet

Model	Tube Comp. Inlet	NPT Outlet Male	Dimensions (mm)			Recommended Max Flow SCFM	Weight (gms)	Part Number
			A	B	Hex			
C5050	1/2"	1/2"	73.0	47.6	22.2	20	120	4005260
C7575	3/4"	3/4"	89.0	60.3	28.6	30	210	4005270
C7510	3/4"	1"	95.2	66.7	33.3	60	330	4005290



### Female Pipe Thread Inlet

Model	NPT Inlet Female	NPT Outlet Male	Dimensions (mm)			Recommended Max Flow SCFM	Weight (gms)	Part Number
			A	B	Hex			
P5050	1/2"	1/2"	76.2	47.6	25.4	20	160	4005600
P5075	1/2"	3/4"	88.9	63.5	28.6	30	185	4005620
P7575	3/4"	3/4"	82.5	57.1	30.1	30	200	4005660
P7510	3/4"	1"	88.9	63.5	33.3	60	320	4005672
P1010	1"	1"	98.4	66.6	38.1	60	350	4005710
P1212	1-1/4"	1-1/4"	112.7	82.5	47.6	130	500	4005750

The data provided above is for information purposes only and no warranty of accuracy or reliability is given. Ross Brown Sales Pty Limited reserves the right to change or modify this data without prior notice.