

Capsule Gauges for Low Pressure

Case Stainless Steel
Snap-in Acrylic Glass

Model **KPChE 63**

Application

For gaseous media which are not aggressive and do not tend to crystallize. The medium must be compatible with the material of all wetted parts.

Size

63 (2½")

Accuracy Class

1.6 acc. to EN 837-3 (i.e. ± 1.6% of full scale value)

Pressure Ranges (EN 837-3)

0 ... 25 up to 0 ... 600 mbar

also all standard vacuum and compound ranges

Pressure Limitations

Steady pressure: full scale value
Cyclic pressure: 90% of full scale value
Temporary: 130% of full scale value

Temperature Limitations

Ambient temperature: -25 / +60 °C (-13 °F / +140 °F)
Medium temperature: +100°C (+212 °F)

Temperature Caused Error

The accuracy error caused by media or ambient temperatures differing from +20 °C (+68 °F) is significant. In accordance with EN 837-3 it may be up to .6% per each 10 °C (+18 °F).

Protection Type (EN 60529 / IEC 529)

IP 32

Standard Configuration

Connection

¼" BSP (standard) or ¼" NPT
bottom connection (standard) or
center back connection (code letters **rm**)

Wetted Parts

Ordering code **-1**: Socket¹⁾: = brass
Diaphragm capsule: = copper/beryllium
O-ring: = NBR (perbunan)

Ordering code **-3**: Socket¹⁾: = 316 stainl. steel (1.4571)
Diaphragm capsule: = 316 stainl. steel (1.4571)
O-ring: = FPM

Movement

Model -1 = brass / German silver
Model -3 = stainless steel

Dial

Aluminum alloy, black figures, white background

Pointer

Aluminum alloy black, adjustable from outside

Case

304 Stainless steel (1.4301)

Lens

Acrylic glass, snapped in to the case

¹⁾ = shank (EN 837-3)



Optional Special Configurations

- Connection thread M 12 x 1.5, others upon request
- Inlet port restrictor screw brass or stainless steel
- Special scales like dual ranges or special units
- Stationary red pointer on the dial
- 3-times overrange or vacuum protection
- 10-times overrange protection (only for ranges ≥ 40 mbar)
- 10-times vacuum protection for model -1 resp. 3-times vacuum protection for model -3 (only for ranges ≥ 40 mbar)
- Combination 10-times overrange and vacuum protection resp. 10-times overrange and 3-times vacuum protection for model -3
- Resistance to higher medium temperature upon request
- Case with bayonet ring 304 stainless steel (1.4301), model code KPCh 63, with bottom or center back connection
- Laminated safety glass lens (only combined with bayonet ring case, model KPCh 63)

How to Order:

Please specify:

Model code: **KPChE 63** (for versions with mounting device see below!)

Wetted parts: **-1** or **-3** (Please compare left.)

Case configuration: **•** bottom connection = standard, no code letter required;
(see reverse side) **•** center back connection = code letters **rm**

Version with front flange available with center back connection and bayonet ring case only, model **KPCh 63...rmFr**

Version with U-clamp available with center back connection and crimped-on ring case only, model **KPChg 63...rmBFr**

Pressure Range: according to EN 837-3,
e.g. -20/+40 mbar or **0/250 mbar**
(compare table reverse side)

Process connection: ¼" **BSP** (= standard) ¼" **NPT**
(others see above)

Special configurations: (see above)

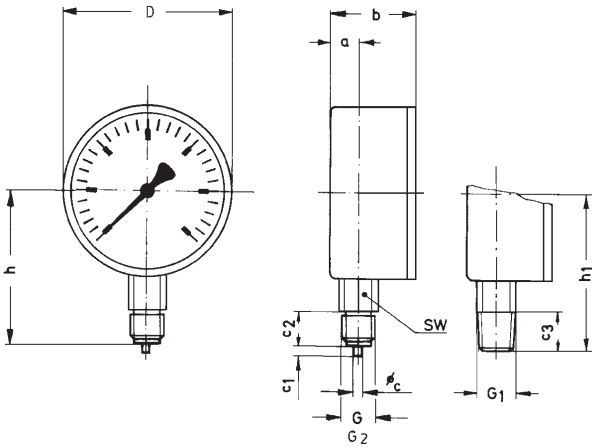
Examples for Ordering Information:

- KPChE 63-1, 0/250 mbar, ¼" BSP
- KPChE 63-3, rm, -20/40 mbar, ¼" NPT
- KPCh 63-3, rmFr, 160 mbar, G ¼ B
- KPChg 63-3, rmBFr, 0/60 mbar, ¼" BSP

Case Configurations, Code Letters, Dimensional Data and Weight

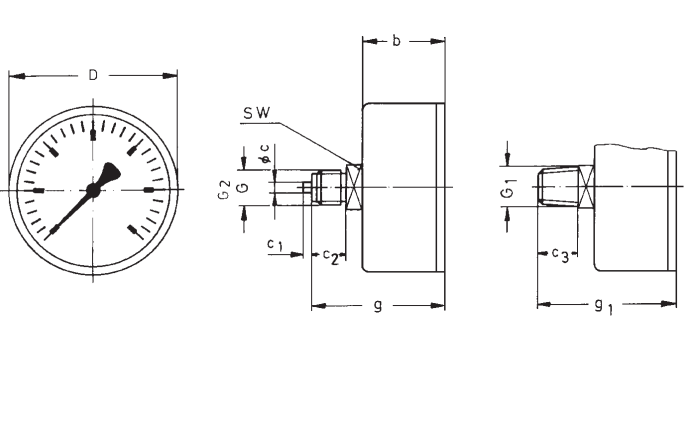
Model KPChE 63-1 or KPChE 63-3

Bottom connection



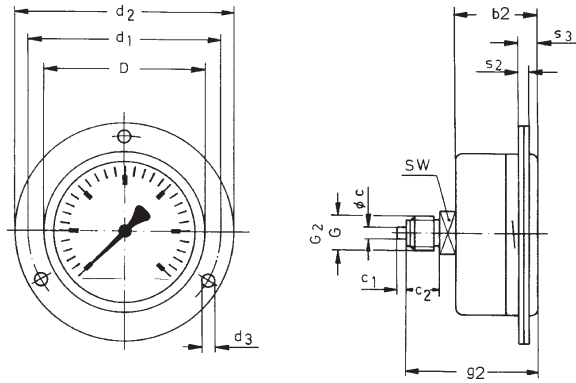
Model KPChE 63-1 rm or KPChE 63-3 rm

Center back connection (= code letters: rm)



Model KPCh 63-1 rmFr or KPCh 63-3 rmFr

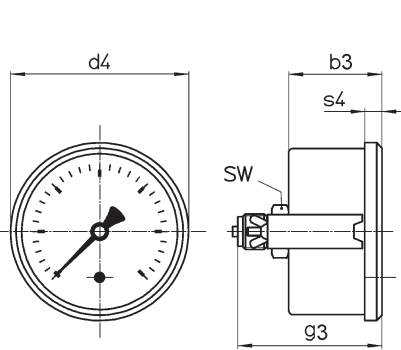
Bayonet ring case stainless steel,
center back connection,
front flange for panel mounting



Flange with longholes attached to the case and a separate cover front flange

Model KPChg 63-1 rmBFR or KPChg 63-3 rmBFR

Stainless steel case with crimped-on ring,
center back connection,
U-clamp for panel mounting



Dimensional Data (mm / inches) and Weights (kg / lb)

Nominal Case Size	a	b ¹⁾	b2	b3	c	c1	c2	c3	D	D1	d1	d2	d3	d4	G
63 2½"	10 .39	34 1.34	36 1.42		5 .20	2 .08	13 .51		62 2.44	63 2.48	75 2.95	85 3.35	3.6 .14	67 2.64	G¼B ¼" BSP
G1	G2	g ²⁾	g1 ³⁾	g2	g3	h ±1	h1 ±1	s2	s3	s4	SW	Weight (approx.)			
¼" NPT	M 12 x 1.5	56 2.20		58 2.28		53 2.09	55 2.17	2 .08	5 .20	8.5 .33	14 .55	0.200 .44			

^{1) 2) 3)} For special configuration "10-times overrange protection" please add 8 mm (.32") to dimensions b, g and g1.

Pressure Ranges According to EN 837-3 mbar		
Vacuum	Compound	Pressure
- 25/ 0	- 10/ +15 - 15/ +10	0/ 25
- 40/ 0	- 15/ +25 - 25/ +15	0/ 40
- 60/ 0	- 20 / +40 - 40 / +20	0/ 60
- 100/ 0	- 40 / +60 - 60 / +40	0/ 100
- 160/ 0	- 60/ +100 - 100/ + 60	0/ 160
- 250/ 0	- 100/ +150 - 150/ +100	0/ 250
- 400/ 0	- 150/ +250 - 250/ +150	0/ 400
- 600/ 0	- 200/ +400 - 400/ +200	0/ 600