

Pressure switch MDR 21



- Single phase
- Switching capacity 2.2 kW / 3 HP
- Max. cut-out pressure 12 bar / 175 psi
- 2-pole (N.C.)
- Acc. to EN 60947
- UL / CSA-approval
- Flange = Die-cast aluminium

Order reference	Type code	ON / OFF Rotary knob	Pressure range P _{OFF} in bar	Flange	Weight (in g)	Part No.
MDR 21/6-EA	MDR-21 DBA AACA 015A030 XAA XXX	EA	1,5 - 7	G 1/4" Alu	300	212218
MDR 21/6-EA	MDR-21 DEA AACA 015A030 XAA XXX	EA	1,5 - 7	F4 1/4" Alu	320	212225
MDR 21/11-EA	MDR-21 GBA AACA 070A090 XAA XXX	EA	4 - 12	G 1/4" Alu	300	212232
MDR 21/11-EA	MDR-21 GEA AACA 070A090 XAA XXX	EA	4 - 12	F4 1/4" Alu	320	212249
MDR 21/6	MDR-21 DBA BACA 015A030 XAA XXX	-	1,5 - 7	G1/4" Alu	300	219910
MDR 21/6	MDR-21 DEA BACA 015A030 XAA XXX	-	1,5 - 7	F4 1/4" Alu	320	226901
MDR 21/11	MDR-21 GBA BACA 070A090 XAA XXX	-	4 - 12	G1/4" Alu	300	226918
MDR 21/11	MDR-21 GEA BACA 070A090 XAA XXX	-	4 - 12	G F4 1/4" Alu	320	226925

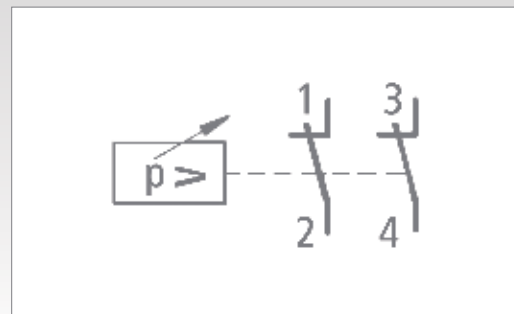
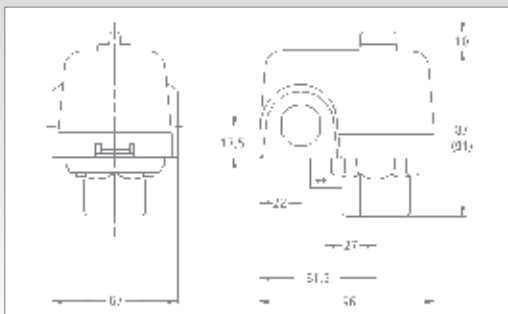
Unloader valves and cable glands for retrofitting, see accessories!

Technical Data MDR 21 nach EN 60947 UL/CSA	
Rated insulation voltage U _i	500 V
Motor switching capacity (UL 508, CSA 22.2) U _e =120 V (1~)	2 HP
Motor switching capacity (UL 508, CSA 22.2) U _e =240 V (1~)	3 HP
Motor switching capacity (AC 3) Cycles	2,2 kW
Electrical life (AC 3) Cycles	> 1 x 10 ⁵
Mechanical life Cycles	> 5 x 10 ⁶
Max. electrical cycles Cycles/h	120
Max. mechanical cycles Cycles/h	600
Rated operational current I _e (UL 508, CSA 22.2) at 240 V AC / 120 V AC	17 A / 24 A
Bursting strength P _z	> 35 bar

Technical Data MDR 21 nach EN 60947 UL/CSA	
Permissible medium temperature Air	- 5...+ 80 °C
Permissible medium temperature Water	+ 80 °C
Degree of Protection acc. to EN 60529	IP 44
Conductor cross-section 1 ... fine stranded cable 1 x / 2 x	2,5 / 2,5 mm ²
Conductor cross-section 1 ... rigid cable 1 x / 2 x	2,5 / 2,5 mm ²

Diaphragm media resistance MDR 21	
A detailed overview of diaphragm media resistance for all pressure switches can be found on page 22. Please read the information carefully.	

Dimensions / Circuit Diagrams MDR 21



Pressure switch MDR 21 The data provided above is for information purposes only and no warranty of accuracy or reliability is given. Ross Brown Sales Pty Limited reserves the right to change or modify this data without prior notice.

Pressure switch MDR 21

Accessories MDR 21

Order reference	Description	Weight (in g)	Part No.
Unloader valves			
EV 2	With screw connection for 6 mm plastic or copper discharge tubes	25	200666
EV 2S*	With quick-connect for 6 mm plastic discharge tubes	25	200680
EV 2W	90° with screw connection for 6 mm plastic or discharge copper tubes	15	200697
EV 2Wi	90° with screw connection for 1/4" mm plastic or discharge copper tubes	15	200703
EV 2WS*	90° with quick-connect for 6 mm plastic discharge tubes	15	200710
Delayed unloader valves			
AEV 2	With screw connection for 6 mm plastic or copper discharge tubes	25	200727
AEV 2S*	With quick-connect for 6 mm plastic discharge tubes	25	200741
AEV 2W	90° with screw connection for 6 mm plastic or copper discharge tubes	15	200758
AEV 2Wi	90° with screw connection for 1/4" mm plastic or copper discharge tubes	15	200765
AEV 2WS*	90° with quick-connect for 6 mm plastic discharge tubes	15	200772
Cable glands			
WN	Grommet	6	201243
PG 13,5 Z-21	With strain relief	12	201021
PG 13,5 ZK-21	With strain relief and cable support	12	201038
Cover			
H 21 (Cover MDR 21)	Cover without On/Off lever (Neural version without marking)	40	229452
H 21-EA (Cover MDR 2+EA)	Cover with On/Off lever for manual On/Off (neutral version, without marking)	40	217503

* only for pneumatic tubes with outside tolerances according to e. g. Festo PAN 6x1mm

High performance
Pressure switches

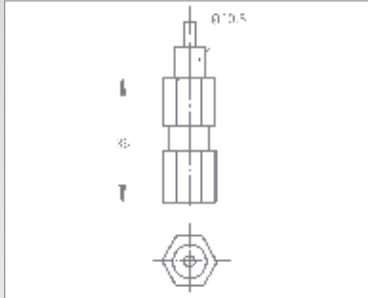
Unloader valves / Delayed unloader valves



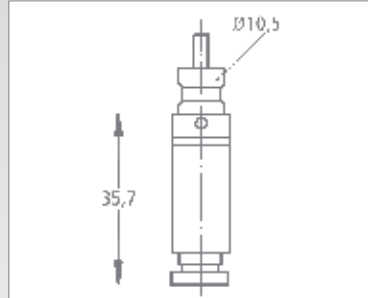
Cable glands MDR 21



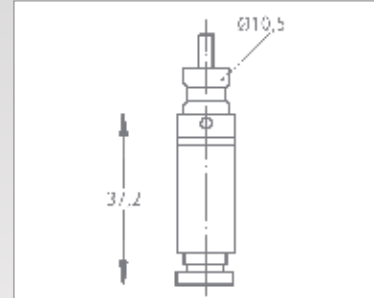
Dimensions, Accessories MDR 21



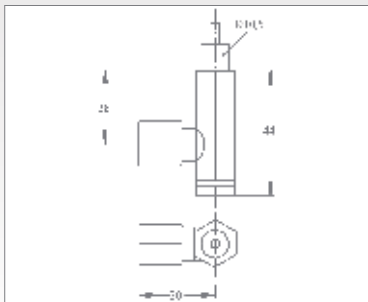
EV 2



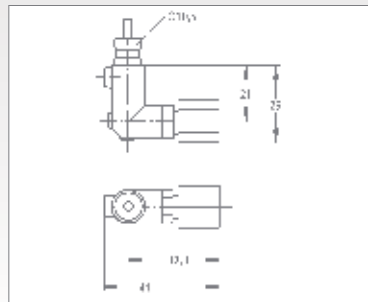
EV 2S



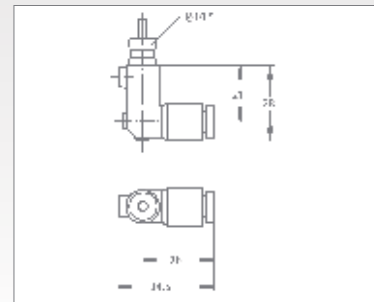
AEV 2S



AEV 2

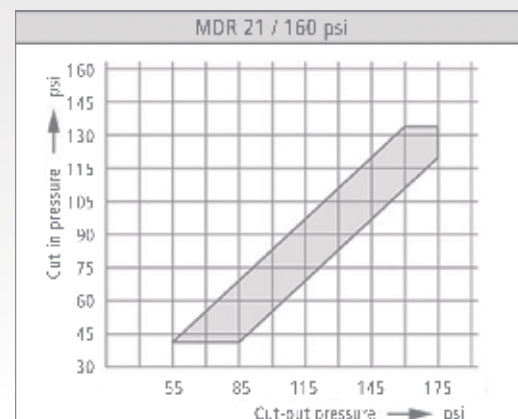
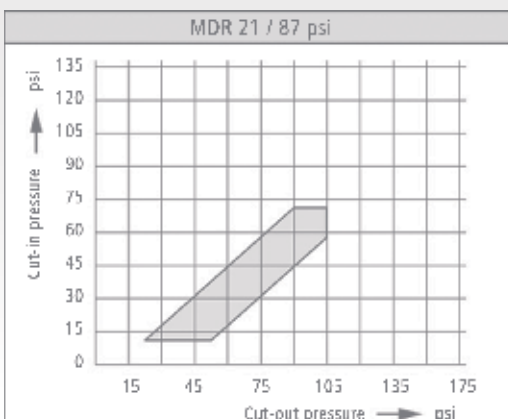
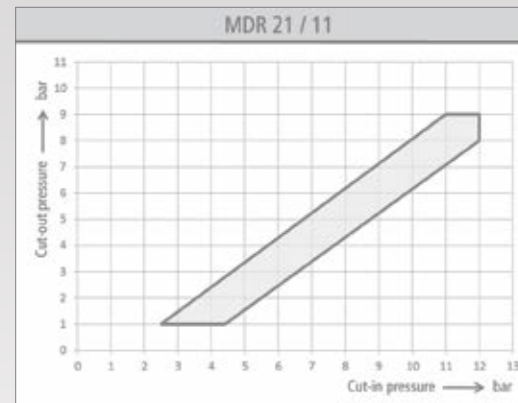
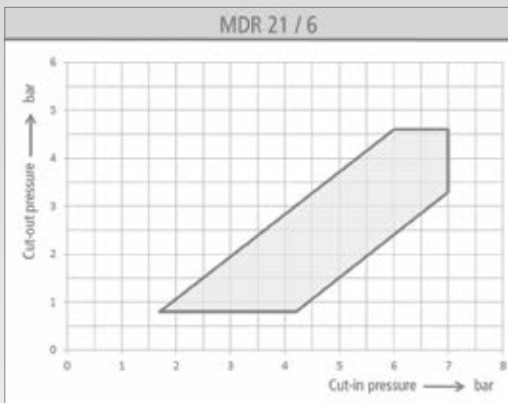


EV 2W / EV 2Wi
AEV 2W / AEV 2Wi



EV 2WS /
AEV 2WS

Pressure Diagrams



1 bar = 14,5 psi; 10 psi = ca. 0,7 bar