

# VOLUME HANDLER® 1

## SALES GUIDE



### INTRODUCTION

Drain-All No-loss condensate traps provide unique, high quality, energy efficient, reliable product solutions for draining and moving liquids such as: (1) condensate removal from compressed air systems, (2) oils and lubricants from manufacturing or test equipment, and (3) liquids from atmospheric and vacuum systems. Drain-All condensate traps are produced under a certified ISO 9001 Quality Management System to ensure the product exceeds customer expectations.

Drain-All products are industrially robust, require little maintenance and since they do not require any electrical connections, can be easily installed on equipment at any point in a system. The unique design maintains a liquid barrier inside the trap which prevents the escape of costly process gas. As a result, no-loss condensate traps provide energy savings when compared to timer drains and manual valves. These patented devices are backed by an excellent warranty and a strong technical support staff who are available to assist customers in developing engineered solutions for all of their liquid drainage problems.

The Drain-All product line includes a wide array of products, options and accessories which enable customers to customize their particular liquid drainage systems. The Drain-All condensate drains are compatible with all manufactures of compressors, aftercoolers, filters/separators, receivers and dryers.

SPECIFICATIONS	
Part Number	<b>VH10-0LAAA</b>
Max Liquid Temp - °F (°C)	170 (76.7)
Max Liquid Pressure – PSIG (BARG)	170 (11.7)
Control Air Min – PSIG (BARG)	50 (3.4)
Control Air Max – PSIG (BARG)	130 (9.0)
Ht – inches (cm)	12 (30.5)
Width – inches (cm)	10-3/4 (27.3)
Depth (Inlet/BV) – inches (cm)	11-1/2 (29.2)
Inlet / Outlet – NPT	1
Control Air – NPT	1/4
Balance Line – NPT	1/8
Max Capacity @ 110 PSI - GPM (kg/hr)	6.4 (1454) *
Weight – LBS (KG)	24.6 (11.2)

\* Varies with pressure/piping

Quality System ISO 9001 Certified United States Patent: 5,983,919

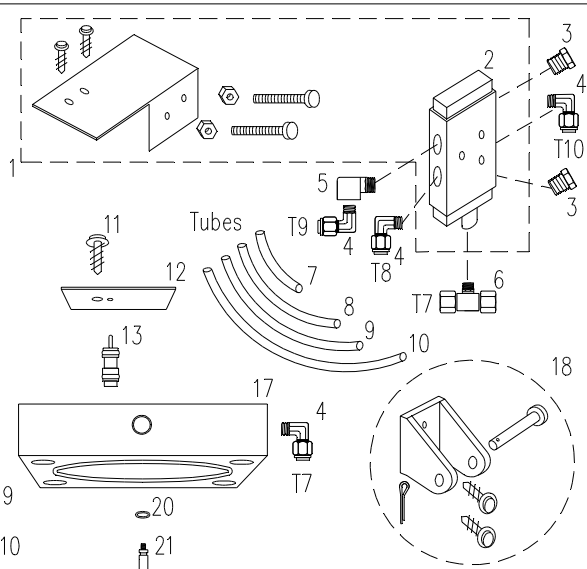
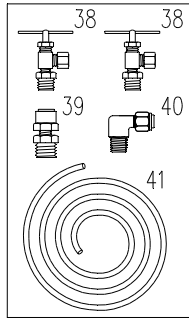


ABN 28 000 690 362  
 TEL: (02) 8855 1700  
 EMAIL: sales@rossbrownsales.com.au  
 WEBSITE: www.rossbrownsales.com.au

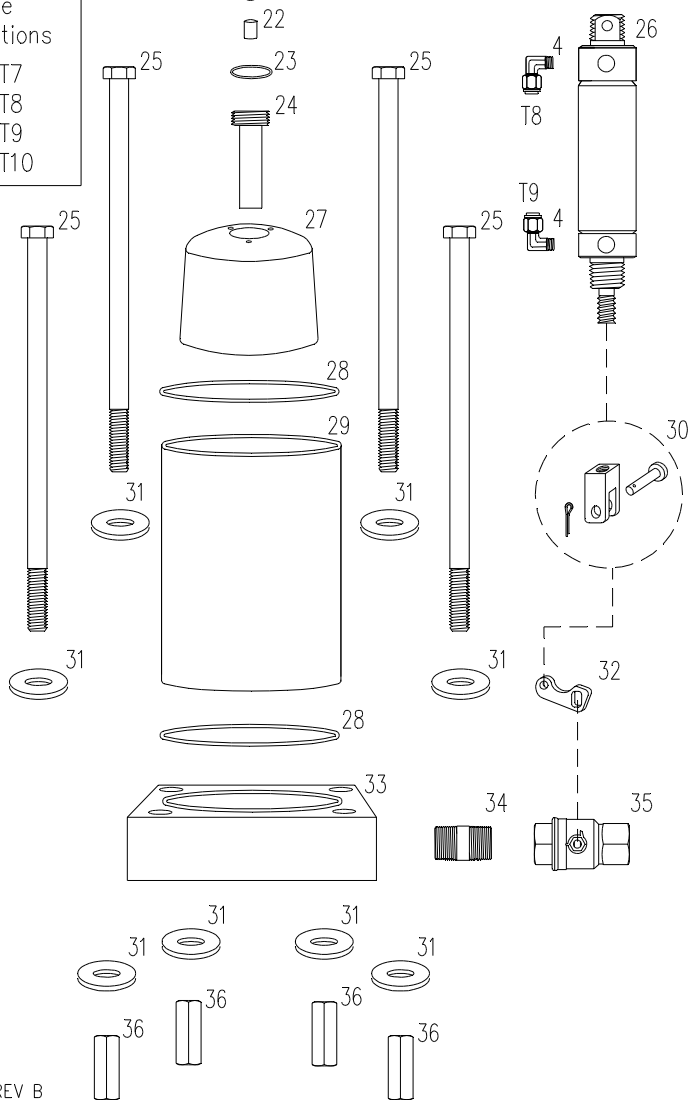


a product of  
 Control Devices, LLC

# COMPONENT PARTS DRAWING

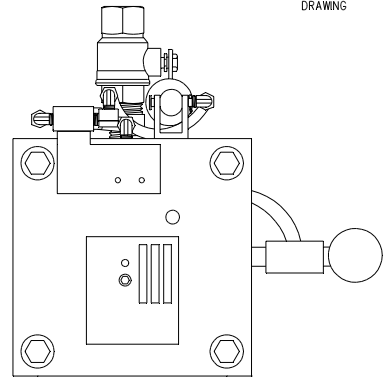


Tube Connections  
 T7-T7  
 T8-T8  
 T9-T9  
 T10-T10

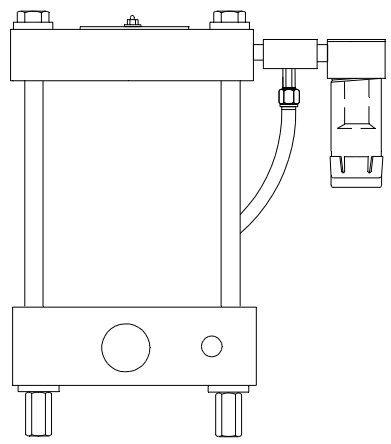


A-DA0009 REV B

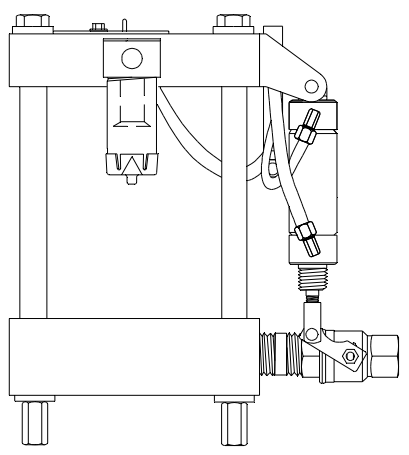
DETAILED DIMENSIONS ARE IN DIMENSIONAL PRINT DRAWING



VIEW 1



VIEW 2

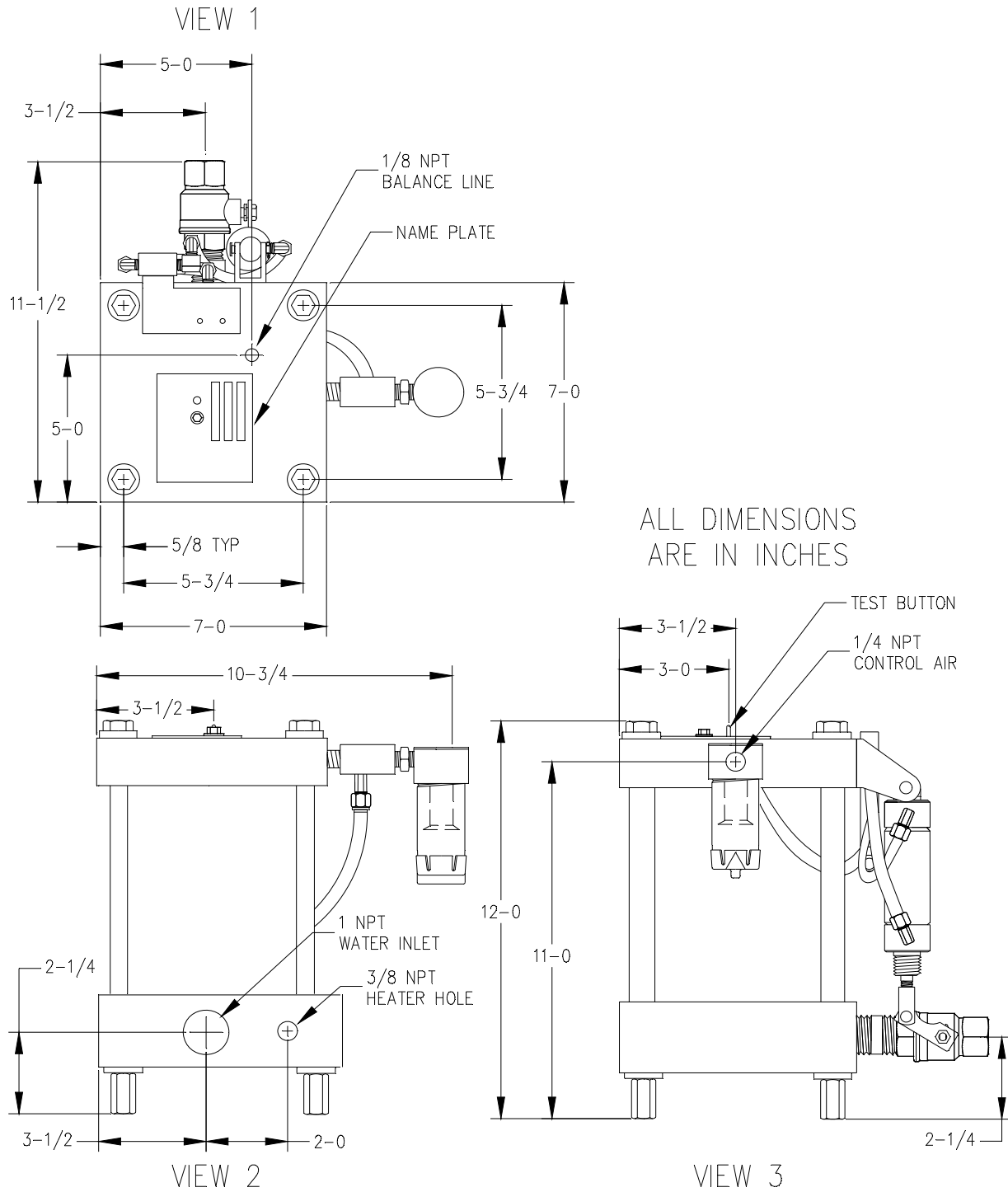


VIEW 3  
 DETAILED DIMENSIONS ARE IN DIMENSIONAL PRINT DRAWING

# PARTS & MATERIALS OF CONSTRUCTION

CODE	PART #	ITEM	DESCRIPTION/REMARKS	Qty
1	300777	Valve Attachment Kit	Includes:	1
2			(1) 4-Way Valve 700346	
			(1) Valve Attachment Bracket-Stainless Steel	
			(2) Screws-Zinc Plated Steel	
			(2) Screws,Self Tapping- Zinc Plated Steel	
			(2) Nuts-Zinc Plated Steel	
3	301215	Port Screen	Coated Steel Body, Bronze Screen	2
4	301000	Elbow Fitting	Brass	6
5	300128	Elbow Fitting	Brass	1
6	101000	Screen Kit Assembly	Brass Tee, Aluminum disk, (2) SS Screens	1
7	350354	Control Air Tube, 1/4" Dia x 4" L	Nylon	1
8	350350	Control Air Tube, 1/4" Dia x 6" L	Nylon	1
9	350352	Control Air Tube, 1/4" Dia x 7" L	Nylon	1
10	350357	Control Air Tube, 1/4" Dia x 10" L	Nylon	1
11	302500	Screw, Self-Tapping	Zinc Plated Steel	1
12	302806	Name Plate	Aluminum	1
13	300600	Push to Test Button	Brass	1
14	300700	Control Air Filter Assembly	Aluminum Head, Polycarbonate Bowl, Push Drain	1
15	300800	Hex Nipple	Brass	1
16	301127	Tee Fitting	Brass	1
17	170100	Head	Aluminum	1
18	300302	Cylinder Mount Kit	Includes:	1
			(1) Bracket-Aluminum	
			(2) Screws-Zinc Plated Steel	
			(1) Mount Pin-Electroless Nickel Plated Steel	
			(1) Cotter Pin-Stainless Steel	
19	301210	Elbow Fitting	Brass	1
20	302210	Valve Stem O-ring	Viton, Brown	1
21	100730	Valve Stem, 2.235" L	O-ring Seal, Aluminum	1
22	400100	Inner Magnet	Ceramic with Viton Ends and Covering	1
23	302215	Center Tube O-ring	Viton, Brown	1
24	200170	Center Tube, 4.5" L	O-ring Seal, Aluminum	1
25	302300	Hex Bolt	Zinc Plated Steel	4
26	350340	Pneumatic Cylinder, 1.5" Dia	50 - 130 PSI, SS Body and Rod, Alum Ends	1
27	100480	Float	Polyurethane, Bullet Shaped	1
28	302200	Sleeve O-ring	Viton, Brown	2
29	100300	Sleeve, .125" TK	Epoxy Fiberglass, Translucent	1
30	350343	Clevis and Pin Kit	Includes:	1
			(1) Clevis-Electroless Nickel Plated Steel	
			(1) Clevis Pin-Electroless Nickel Plated Steel	
			(1) Cotter Pin-Stainless Steel	
31	301570	Washer, 1/2" SAE	Zinc Plated Steel	8
32	100810	Control Lever	Stainless Steel for 1" NPT Ball Valve	1
33	170210	Base	6061-T6 Aluminum	1
34	300921	Hex Nipple, 1" NPT, 2" L	Stainless Steel	1
35	300211	Heavy Duty Ball Valve, 1" NPT	Double O-ring Viton Stem Seals, Nickel Plated Brass	1
36	302400	Coupling Nut, 1/2" - 13 x 1-1/4" L	Zinc Plated Steel	4
37	301130	Installation Kit	Includes:	1
38			(2) Needle Valves-Brass	
39			(1) Straight Fitting-Brass	
40			(1) Elbow Fitting-Brass	
41			(1) 1/4" Dia LDPE Tube	

# DIMENSIONAL PRINT



VH10 REV A