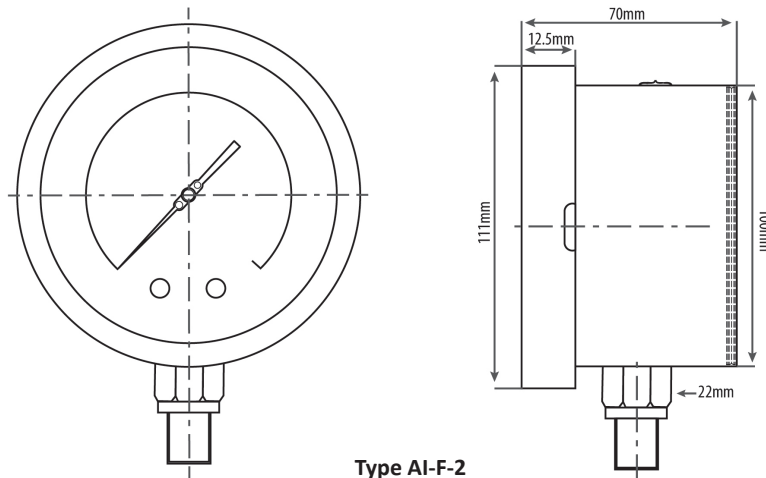


# Solid Front 100mm Stainless Steel Pressure Gauge

<b>Gauge Design:</b>	Fully Safety Pattern, Solid Front Rear Blowout
<b>Case and bezel material:</b>	316 Stainless Steel Liquid Fillable
<b>Connection:</b>	316L Stainless Steel
<b>Bourdon tube material:</b>	316L Stainless Steel
<b>Working temperature:</b>	Ambient = -20/+65°C, Process = 65°C *
<b>Dial:</b>	Aluminium, Black Print on White Background
<b>Ranges:</b>	-100~0 kPa to 0~160,000 kPa
<b>Connection:</b>	1/2" NPT Lower Mount
<b>Window:</b>	Shatterproof Safety Glass
<b>Blowout Protection:</b>	Full Blowout Back
<b>Surge Protection:</b>	Internal Restrictor, 0.9mm
<b>Over Range Protection:</b>	125% of Full Scale up to 10,000 kPa 115% of Full Scale above 10,000 to 60,000 kPa 110% of Full Scale above 60,000 to 160000 kPa
<b>Movement:</b>	304 Stainless Steel
<b>Pointer:</b>	Micro-Adjustable
<b>Accuracy:</b>	1.0% of Full Scale



\* Formula:  $\pm 0.04 \times (t_2 - t_1) \% \text{ of F.S.}$  where  $t_1$  = reference temperature (+20°C) and  $t_2$  = ambient temperature in °C.  
 Temperature Effect: The variation of indication caused by effects of temperature is to be calculated by the above formula; which is to be added to the specified accuracy during measurement.  
 For higher process temperatures, please contact Ross Brown Sales.



Type AI-F-2

Range (in kPa)	Lower Mount P/N	Range (in kPa)	Lower Mount P/N	Accessories
-100-0	2690000RB	0-1600	2690110RB	Glycerine Filling <b>P/N 2701999</b>
-100/+150	2690010RB	0-2500	2690120RB	
-100/+300	2690020RB	0-4000	2690130RB	Restrictor 0.5 mm <b>P/N 2701988RB</b>
-100/+500	2690030RB	0-6000	2690140RB	
-100/+900	On request	0-8000	2690150RB	Pig-tail Sch80 316SS 1/2" NPT M & F <b>P/N: 2911103RB</b>
-100/+1500	On request	0-10000	2690160RB	
0-100	2690040RB	0-16000	2690170RB	Adjustable Restrictor 1/2" NPT M & F <b>P/N: 2911130</b>
0-160	2690050RB	0-25000	2690180RB	
0-250	2690060RB	0-40000	2690190RB	Block and Bleed valve 1/2" NPT M & F <b>P/N: 7068530</b>
0-400	2690070RB	0-60000	2690200RB	
0-600	2690080RB	0-80000	2690210RB	Gauge Cock 1/2" NPT M & F <b>P/N: 7069000</b>
0-800	2690090RB	0-100000	2690220RB	
0-1000	2690100RB	0-160000	On request	
<b>Weight gms</b>	760	Add 310 gms for glycerine filling		

Revision: 0822

The data provided above is for information purposes only and no warranty of accuracy or reliability is given.  
 Ross Brown Sales Pty Limited reserves the right to change or modify this data without prior notice.