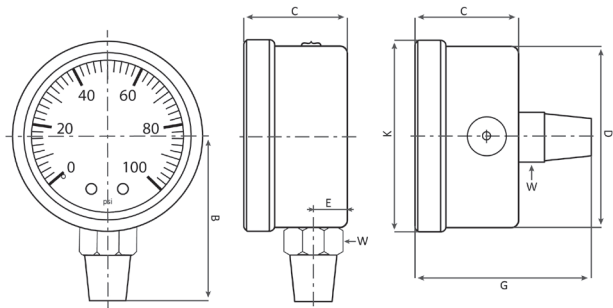


Liquid Filled General Purpose Pressure E-Gauge

Case and bezel material:	304 Stainless Steel, liquid filled with vent plug
Connection:	Copper alloy
Bourdon tube material:	Copper alloy
Working temperature:	Ambient = -20~60°C, Process = +60°C
Dial:	Black print (kPa) red print (PSI) on white background
Ranges:	-100~0 kPa to dual scale 0~60,000 kPa/PSI
Connection:	1/4" BSPT for 63mm, 3/8" BSPT for 100mm
Window:	Polycarbonate
Surge protection:	Available on Request
Movement:	Copper alloy
Pointer:	Aluminium Black Finish
Accuracy:	+/- 1.6% of Full Scale for 63 mm gauges +/- 1.0% of Full Scale for 100 mm gauges



Dimensions in mm

	B	C	D	E	G	K	W
50	51.4	29.4	52.0	8.5	57.2	51.7	14.0
63	54.0	30.0	62.0	9.0	58.2	68.0	14.0
100	83.0	35.3	99.3	11.5		108.6	17.0

Size Range (in kPa)	63mm Diameter		100mm Diameter	Accessories
	Lower Mount P/N	Centre Back Mount P/N	Lower Mount P/N	
-100/0	1613850E	1615050E	1618500E	Restrictor 0.46mm P/N: 1619915
-100/+150	1613860E	1615060E	1618525E	
-100/+1000			1618527E	
-100/+1600			1618528E	Restrictor 0.25mm P/N: 1619916
-100/+2500			1618531E	
0-100	1613900E	1615100E	1618529E	
0-250	1613950E	1615150E	1618530E	63mm rubber boot P/N: 1619919
0-400	1614000E	1615200E	1618540E	
0-600	1614050E	1615250E		
0-800	1614100E	1615300E	1618560E	63mm Back Flange for LM Gauge P/N: 1615955E
0-1000	1614150E	1615350E	1618570E	
0-1600	1614200E ₁	1615400E ₂	1618580AE ₄	
0-2500	1614250E	1615450E	1618590E	63mm Front Flange for CBM Gauge P/N: 1615952E
0-4000	1614300E	1615500E	1618600E	
0-6000	1614325E ₃	1615550E	1618610E	
0-8000	1614350E	1615600E ₃		63mm Panel Mount Kit for CBM Gauge P/N: 1615950E
0-10000	1614400E ₃			
0-16000		1615650E ₃		
0-25000	1614520E ₃	1615700E ₃		100mm Back Flange P/N: 1615957E
0-40000	1614580E ₃	1615930E ₃		
0-55000		1615945E ₃		
0-60000	1614589E ₃			
Weight gms	200	220	570	
Legend:	1. Available in LM 50mm (1/4" BSPT) Part No.: 1613820E 2. Available in CBM 50mm (1/8" BSPT) Part No.: 1613841E		3. Supplied with restrictor 0.46mm Part No.: 1618580E 4. Available with restrictor	

Revision: 0522

The data provided above is for information purposes only and no warranty of accuracy or reliability is given.
 Ross Brown Sales Pty Limited reserves the right to change or modify this data without prior notice.