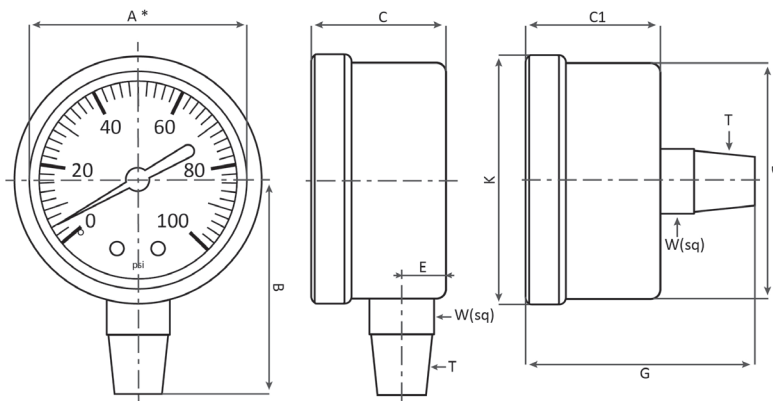


General Purpose Pressure Gauge: Stainless Steel Case

| | |
|---------------------------------|---|
| Case and bezel material: | 304 Stainless Steel |
| Connection: | Copper alloy |
| Bourdon tube material: | Copper alloy |
| Working temperature: | Ambient = -20~60°C, Process = +70°C |
| Dial: | Black print kPa, Red print PSI, on White Background |
| Ranges: | -100~0 kPa to dual scale 0~4,000 kPa/PSI |
| Connection: | 1/8" BSPT, (50 mm lower mount is 1/4" BSPT) |
| Window: | Polycarbonate |
| Surge protection: | Available on Request |
| Movement: | Copper alloy |
| Pointer: | Aluminium Black Finish |
| Accuracy: | +/- 2.5% of Full Scale |



* Image above is a 40mm gauge.
NB: 50mm range includes RB logo



Dimensions in mm

| | A* | B | C | C1 | D | E | G | K | W LM | W CBM |
|----|------|------|------|------|------|------|------|------|------|-------|
| 40 | 38.0 | 37.0 | 22.0 | 26.2 | 40.7 | 7.0 | 45.7 | 42.0 | 11 | 14 |
| 50 | 50.3 | 45.3 | 27.8 | 28.0 | 51.5 | 10.0 | 45.2 | 57.6 | 14 | 14 |

| Size Range (in kPa) | 40mm Diameter | | 50mm Diameter | | Accessories |
|-----------------------------|--------------------------|-----------------------|-----------------------------|--------------------------|--------------------------------------|
| | Lower Mount P/N | Centre Back Mount P/N | Lower Mount P/N | Centre Back Mount P/N | |
| -100-0 | | 1610601 | 1610860 | 1612040 | 40mm panel mount kit P/N: 1610850 |
| -100/+150 | | | | | 40mm front flange P/N: 1610852 |
| -100/+1000 | | | | | 50mm panel mount kit P/N: 1612450 |
| -100/+1500 | | | | | 50mm front flange P/N: 1612452 |
| 0-100 | | | 1610880 | | |
| 0-160 | | | 1610900 | | |
| 0-250 | 1610350 | 1610620 | 1611080 | 1612050 3 | |
| 0-400 | 1610400 | 1610650 | 1611150 | 1612163 | |
| 0-600 | | | | | Restrictor 0.46mm P/N: 1619915 |
| 0-800 | | | 1611263 | 1612245 4 | |
| 0-1000 | 1610520 | 1610750 1 | 1611302 | 1612300 5 | Restrictor 0.25mm P/N: 1619916 |
| 0-1600 | | | 1611350 | 1612400 6 | |
| 0-2500 | | | 1611390 2, 7 | 1612460 8 | |
| 0-4000 | | | 1611700 | 1612470 | |
| Weight gms | 60 | 90 | 120 | 125 | |
| Legend: | | | | | |
| 1. Available with 1/4" BSPT | Part No.: 1610780 | | 5. Available with 1/4" BSPT | Part No.: 1612350 | |
| 2. Supplied with 1/4" NPT | | | 6. Available with 1/4" BSPT | Part No.: 1612440 | |
| 3. Available with 1/4" BSPT | Part No.: 1612052 | | 7. Available with 1/8" NPT | Part No.: 1611395 | |
| 4. Available with 1/4" BSPT | Part No.: 1612250 | | 8. Supplied with 1/4" BSPT | | |

Revision: 0823

The data provided above is for information purposes only and no warranty of accuracy or reliability is given.
Ross Brown Sales Pty Limited reserves the right to change or modify this data without prior notice.