

CONDENSATE HANDLER® SE2 F2

SALES GUIDE



INTRODUCTION

Drain-All No-loss condensate traps provide unique, high quality, energy efficient, reliable product solutions for draining and moving liquids such as: (1) condensate removal from compressed air systems, (2) oils and lubricants from manufacturing or test equipment, and (3) liquids from atmospheric and vacuum systems. Drain-All condensate traps are produced under a certified ISO 9001 Quality Management System to ensure the product exceeds customer expectations.

Drain-All products are industrially robust, require little maintenance and since they do not require any electrical connections, can be easily installed on equipment at any point in a system. The unique design maintains a liquid barrier inside the trap which prevents the escape of costly process gas. As a result, no-loss condensate traps provide energy savings when compared to timer drains and manual valves. These patented devices are backed by an excellent warranty and a strong technical support staff who are available to assist customers in developing engineered solutions for all of their liquid drainage problems.

The Drain-All product line includes a wide array of products, options and accessories which enable customers to customize their particular liquid drainage systems. The Drain-All condensate drains are compatible with all manufactures of compressors, aftercoolers, filters/separators, receivers and dryers.

SPECIFICATIONS	
Part Number	DH50-0LSF2
Max Liquid Temp - °F (°C)	170 (76.7)
Max Liquid Pressure – PSIG (BARG)	170 (11.7)
Control Air Min – PSIG (BARG)	40 (2.8)
Control Air Max – PSIG (BARG)	130 (9.0)
Ht – inches (cm)	11 (27.9)
Width – inches (cm)	9-1/4 (23.5)
Depth (Inlet/BV) – inches (cm)	10-1/2 (26.7)
Inlet / Outlet – NPT	1/2
Control Air – NPT	1/4
Balance Line – NPT	1/8
Max Capacity @ 110 PSI - GPM (kg/hr)	1.5 (340) *
Weight – LBS (KG)	21 (9.5)

* Varies with pressure/piping

Quality System ISO 9001 Certified United States Patent: 5,983,919

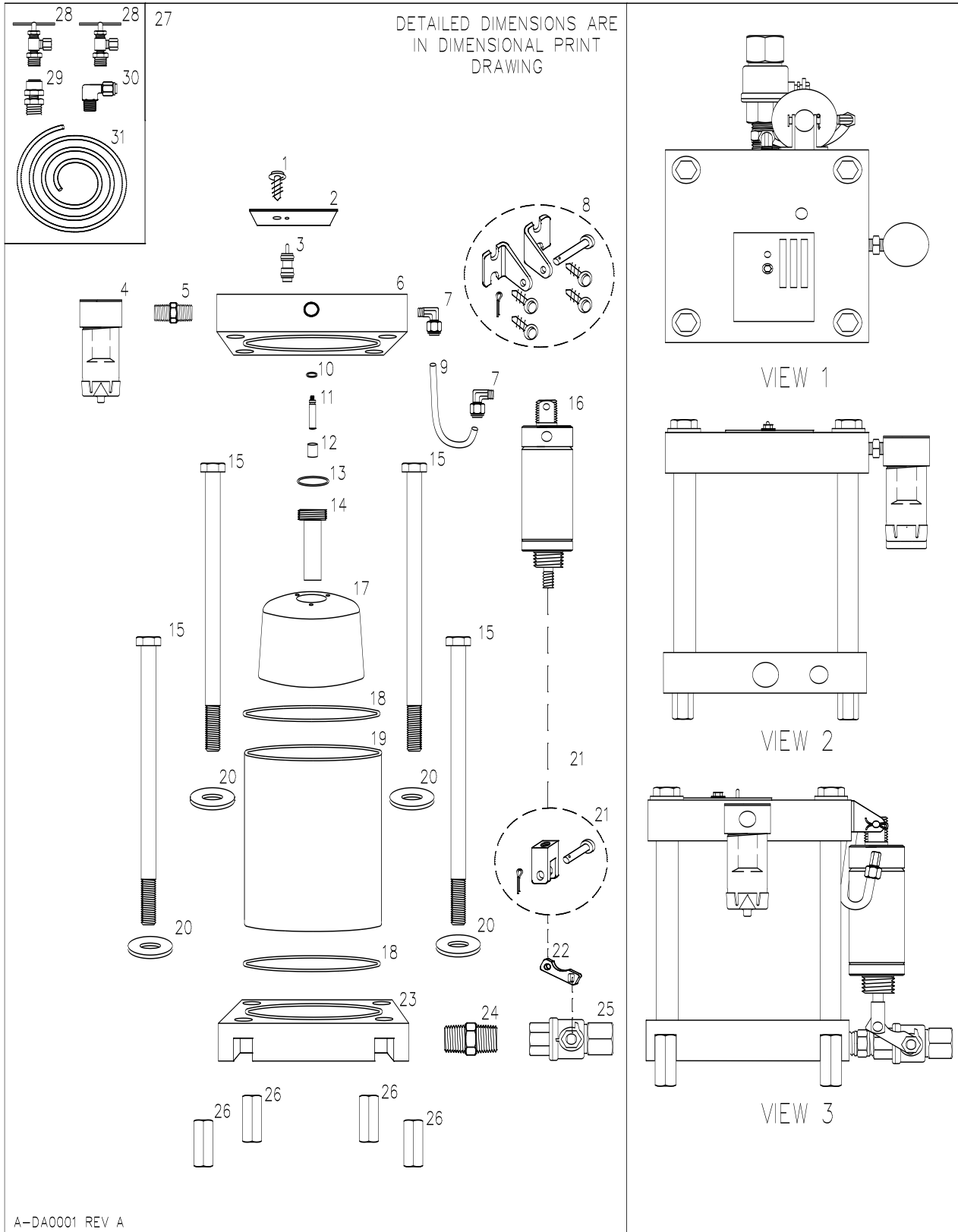


ABN 28 000 690 362
 TEL: (02) 8855 1700
 EMAIL: sales@rossbrownsales.com.au
 WEBSITE: www.rossbrownsales.com.au



a product of
 Control Devices, LLC

COMPONENT PARTS DRAWING



PARTS & MATERIALS OF CONSTRUCTION

CODE	PART #	ITEM	DESCRIPTION/REMARKS	QTY
1	302511	Screw, 10-24 x 0.5"L	Stainless Steel	1
2	302815	Name Plate	Aluminum	1
3	300600	Push to Test Button	Brass	1
4	300706	Control Air Filter Assembly, 1/4" NPT	Aluminum Head, Aluminum Bowl	1
5	300800	Hex Nipple, 1/4" NPT	Brass	1
6	170102	Head	Aluminum	1
7	301000	Elbow Fitting, 1/8" NPT - 1/4" Tube	Brass	2
8	300295	Cylinder Mount Kit	Includes:	1
			(2) Brackets-Stainless Steel	
			(4) Screws-Stainless Steel	
			(1) Mount Pin-Stainless Steel	
			(1) Cotter Pin-Stainless Steel	
9	350352	Control Air Tube, 1/4" Dia x 7" L	Nylon	1
10	302210	O-ring, Valve Stem	Viton, Brown	1
11	100730	Valve Stem, 2.235" L	O-ring Seal, Aluminum	1
12	400100	Inner Magnet	Ceramic with Viton Ends and Covering	1
13	302215	O-Ring, Center Tube	Viton, Brown	1
14	200170	Center Tube, 4.5" L	O-ring Seal, Aluminum	1
15	302312	Hex Bolt	Stainless Steel	4
16	300359	Pneumatic Cylinder, 2" Dia	40 - 130 PSI, Stainless Steel Body and Rod, Aluminum Ends	1
17	100480	Float	Polyurethane, Bullet Shaped	1
18	302200	O-ring, Sleeve	Viton, Brown	2
19	100300	Sleeve, 6" ID	Epoxy Fiberglass, Translucent	1
20	301571	Washer, 1/2" SAE	Stainless Steel	4
21	300308	Clevis and Pin Kit	Includes:	1
			(1) Clevis-Stainless Steel	
			(1) Clevis Pin-Stainless Steel	
			(1) Cotter Pin-Stainless Steel	
22	100807	Control Lever	Stainless Steel for 1/2" NPT Ball Valve	1
23	170274	Base, 1/2" NPT	Through Ported, Aluminum	1
24	300900	Hex Nipple, 1/2" NPT	Brass	1
25	300207	Heavy Duty Ball Valve, 1/2" NPT	Double O-ring Viton Stem Seals, Nickel Plated Brass	1
26	302376	Coupling Nut	Stainless Steel	4
27	301141	Installation Kit	Includes:	1
28			(2) Needle Valve, 1/8" Male NPT x 1/4" Tube	
29			(1) Straight Fitting, 1/8" Male NPT x 1/4" Tube	
30			(1) Elbow Fitting, 1/4" Male NPT x 1/4" Tube	
31	301410	Tube 1/4" x 12 FT	LDPE	1
32	301800	Plug	Plastic	1

DIMENSIONAL PRINT

