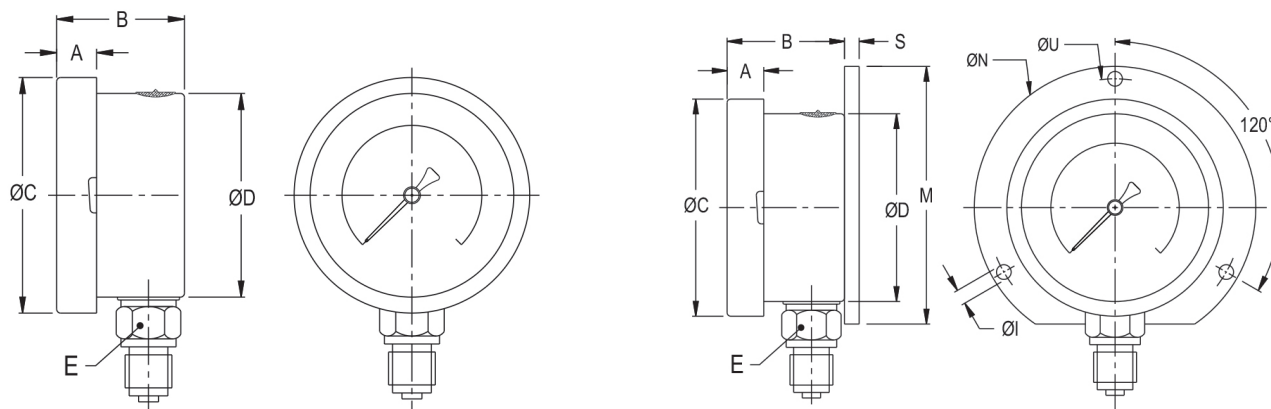


## 63mm LM Stainless Steel Pressure Gauge

<b>Case and bezel material:</b>	304 Stainless Steel Liquid Fillable
<b>Connection:</b>	316 Stainless Steel
<b>Bourdon tube material:</b>	316L Stainless Steel
<b>Working temperature:</b>	Ambient = -25~+65°C, Process = 65°C *
<b>Dial:</b>	Aluminium, Dual Scale, Black kPa, Red psi on White Dial
<b>Ranges:</b>	-100~0 kPa to 0~160,000 kPa
<b>Connection:</b>	1/4" NPT Lower Mount
<b>Window:</b>	Shatter Proof Safety Glass
<b>Blowout Protection:</b>	Rubber Plug on Top
<b>Surge Protection:</b>	Internal Restrictor
<b>Over Range Protection:</b>	125% of Full Scale up to 10,000 kPa 115% of Full Scale above 10,000 up to 60,000 kPa 110% of Full Scale above 60,000 up to 100,000 kPa
<b>Movement:</b>	304 Stainless Steel
<b>Pointer:</b>	Standard Non-Adjustable
<b>Accuracy:</b>	1.6% of Full Scale
<b>Protection Rating:</b>	IP65



\* Formula:  $\pm 0.04 \times (t_2 - t_1) \% \text{ of F.S.}$  where  $t_1$  = reference temperature (+20°C) and  $t_2$  = ambient temperature in °C.  
 Temperature Effect: The variation of indication caused by effects of temperature is to be calculated by the above formula; which is to be added to the specified accuracy during measurement.  
 For higher process temperatures, please contact Ross Brown Sales.



Dimensions in mm

Type	A	B	ØC	ØD	E	S	ØN	ØI	ØU	M
AD-D-2	10	31	69.5	62.5	A/F14	7	86	3.6	75	80

Range (in kPa)	Lower Mount P/N	Range (in kPa)	Lower Mount P/N	Accessories
-100-0	1369040RB	0-1600	1369070RB	Back Flange
-100/+150	1369041RB	0-2500	1369080RB	<b>P/N: 1369997RB</b>
-100/+300	On request	0-4000	1369085RB	Glycerine Filling
-100/+500	On request	0-6000	On request	<b>P/N: 1369999</b>
-100/+900	1369062RB	0-8000	1369087RB	Rubber Boot
-100/+1500	On request	0-10000	1369090RB	<b>P/N: 1619919</b>
0-100	1369042RB	0-16000	1369100RB	Adjustable Restrictor 1/4" NPT M & F
0-160	1369043RB	0-25000	1369110RB	<b>P/N: 2911133</b>
0-250	1369046RB	0-400 PSI (kg/cm <sup>2</sup> )	1616030RB +	Maximum Pointer
0-400	1369047RB	0-40000	1369120RB	<b>P/N: 1369992RB</b>
0-600	1369049RB	0-60000	1369130RB	** Also Available in BSPT
0-800	1369051RB **	0-70000	On request	<b>P/N 1369050RB</b>
0-1000	1369060RB	0-100000	On request	
0-150 PSI (kg/cm <sup>2</sup> )	1616025RB +	0-160000	On request	+ Supplied Liquid Filled
<b>Weight gms</b>	180	Add 60gms for Glycerine Filling		

Revision: 0822

The data provided above is for information purposes only and no warranty of accuracy or reliability is given.  
 Ross Brown Sales Pty Limited reserves the right to change or modify this data without prior notice.