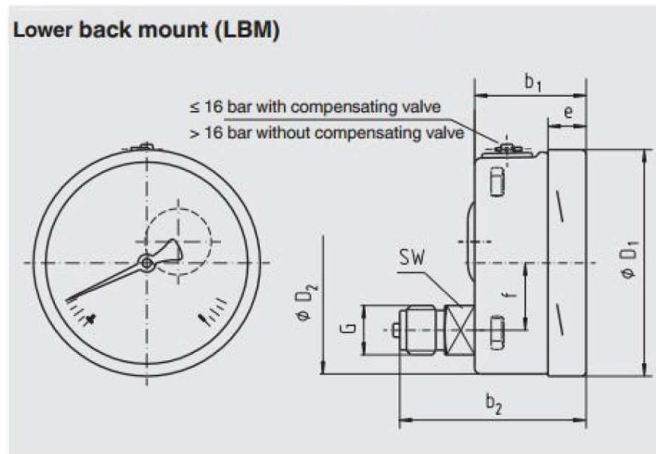
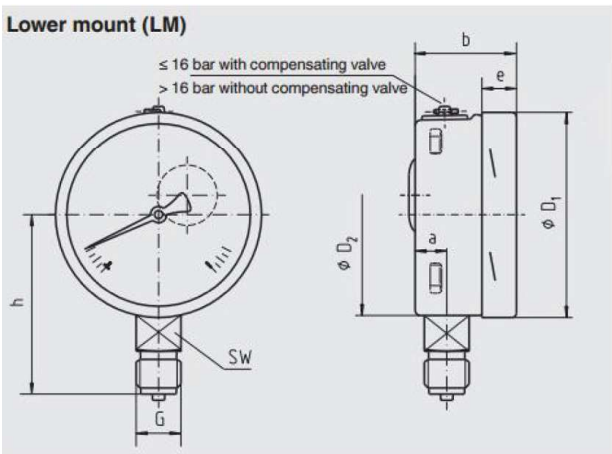


100mm Industrial Quality Pressure E-Gauge

Case and bezel material:	304 Stainless Steel Liquid Fillable
Connection:	Copper alloy
Bourdon tube material:	≤40,000 kPa = Copper alloy, >40,000 kPa = 316 Stainless Steel
Working temperature:	Ambient = -20~60°C, Process = 60°C *
Dial:	Aluminium, Black print on White Background
Ranges:	-100~0 kPa to 0~100,000 kPa
Connection:	3/8" BSPT Lower Mount & Lower Back Mount
Window:	Laminated Safety Glass
Blowout Protection:	Rubber Disc on the Back
Over Range Protection:	130% of Full Scale
Movement:	Copper alloy
Pointer:	Micro-adjustable
Accuracy:	1.0% of Full Scale
Protection Rating:	IP65



* Formula: $\pm 0.04 \times (t_2 - t_1) \% \text{ of F.S.}$ where t_1 = reference temperature (+20°C) and t_2 = ambient temperature in °C.
 Temperature Effect: The variation of indication caused by effects of temperature is to be calculated by the below formula; which is to be added to the specified accuracy during measurement.
 For higher process temperatures, please contact Ross Brown Sales.



Dimensions in mm

Type	A	B	B ₁	B ₂	D ₁	D ₂	E	F	G (LM)	H ±1	SW
100mm Dial	15.5	49.5	49.5	83	101	99	17.5	30	3/8" BSPT	87	22

Range (in kPa)	Lower Mount	Lower Back Mount	Range (in kPa)	Lower Mount	Lower Back Mount	Accessories
-100-0	2702000E	On request	0-1600	2702022E	On request	Back Flange P/N: 2701997
-100/+150	On request	On request	0-2500	2702024E	2702341E	
-100/+300	2702002E	On request	0-4000	2702026E	2702342E	
-100/+500	On request	On request	0-6000	On request	2702343E	Internal Restrictor
-100/+900	2702003E	On request	0-8000	On request	On request	
-100/+1500	On request	On request	0-10000	On request	2702344E	Glycerine Filling P/N: 2701999
0-100	2702010E	On request	0-16000	2702034E	On request	
0-160	2702012E	On request	0-25000	On request	On request	
0-250	2702014E	On request	0-40000	On request	On request	Polycarbonate Lens
0-400	2702016E	On request	0-60000	On request	On request	
0-600	2702017E	On request	0-80000	On request	On request	
0-800	2702018E	On request	0-100000	On request	On request	
0-1000	2702020E	On request				
Weight gms (Dry)	900					

Revision: 0523

The data provided above is for information purposes only and no warranty of accuracy or reliability is given.
 Ross Brown Sales Pty Limited reserves the right to change or modify this data without prior notice.