



## Miniature Filter Silencers

### FS Series 1/4" - 1" MPT

#### Features

- High grade filter element with integrated gasket seal
- Fully drawn weatherhood
- Tubular silencing design: tube maximizes attenuation and air flow while minimizing pressure drop
- Corrosion resistant carbon steel construction
- Black powder coat finish
- Ability to mount vertically and horizontally

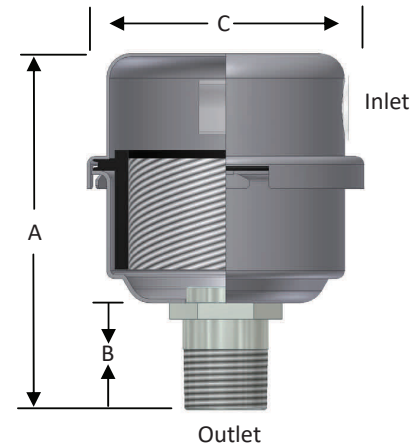


#### Technical Specifications

- Temp (continuous): min -15°F (-26°C) max 220°F (104°C)
- Filter change out differential: 15-20" H<sub>2</sub>O over initial Δ P
- Polyester: 99%+ removal efficiency standard to 25 micron
- Paper: 99%+ removal efficiency standard to 2 micron
- Pressure drop graphs available upon request

#### Options

- Various media for different environments
- Straight through configuration
- Various nonstandard finishes and connection styles



MPT Outlet	Assembly SCFM Rating	Assembly Part Number		Dimensions - inches			No. of Silencing Tubes	Approx. Weight (lbs)	Replacement Element Part No.		Element SCFM Rating
		Polyester	Paper	A	B	C			Polyester	Paper	
1/4"	4	FS-05-025	FS-04-025	2 3/4	1 1/16	2 1/2	1	0.25	05	04	8
3/8"	8	FS-05-038	FS-04-038	2 3/4	1 1/16	2 1/2	1	0.25	05	04	8
3/8"	8	FS-07-038	FS-06-038	3 3/16	1 1/16	3 1/4	1	0.50	07	06	12
1/2"	8	FS-05-050	FS-04-050	3	7/8	2 1/2	1	0.25	05	04	8
1/2"	12	FS-07-050	FS-06-050	3 3/4	7/8	3 1/4	1	0.50	07	06	12
1/2"	12	FS-11-050	FS-10-050	4 3/16	7/8	4 1/4	1	1	11	10	35
3/4"	12	FS-07-075	FS-06-075	4 1/8	1 1/4	3 1/4	1	0.50	07	06	12
3/4"	25	FS-11-075	FS-10-075	4 1/2	1 1/4	4 3/16	1	1	11	10	35
1"	35	FS-11-100	FS-10-100	4 1/2	1 1/4	4 3/16	1	1	11	10	35

See Filter Silencer Technical Data for sizing guidelines.

Rev: FS.25-US1808K



Ross Brown Sales Pty. Ltd

ABN 28 000 690 362  
 21 Brookhollow Ave, Norwest NSW 2153  
 PO Box 6345 BHBC NSW 2153 Australia  
 Phone: (02) 8855 1700 Fax: (02) 9899 4233  
 Email: sales@rossbrownsales.com.au  
 Website: www.rossbrownsales.com.au