

Inlet Filter Silencers/ Silencers



| | |
|---|----------|
| Technical Data | pg. 2-2 |
| Miniature Filter Silencers | |
| FS Series: 1/4" - 1" MPT, 7 - 60 m ³ /h | pg. 2-4 |
| PS Series: 1/8" - 1" MPT, 5 - 60 m ³ /h | pg. 2-5 |
| Compact Filter Silencers | |
| FS Series: 1/2" - 1" MPT, 1-1/4" - 6" BSPT, 17 - 1870m ³ /h | pg. 2-6 |
| FS Series: DN80 - DN150, 510 - 1870 m ³ /h | pg. 2-7 |
| Big Boy Filter Silencers | |
| FS Series: DN200 - DN300, 3060 - 7990 m ³ /h | pg. 2-8 |
| Side Channel Blower Silencers | |
| SLCR Series: 1/2" - 4", 45 - 980 m ³ /h | pg. 2-9 |
| Filter Silencers for Blowers | |
| QB Series: 2" - 6" BSPT, 230 - 1870 m ³ /h | pg. 2-10 |
| QB Series: DN80 - DN150, 510 - 1870 m ³ /h | pg. 2-10 |
| Big Boy Filter Silencers for Blowers | |
| QB Series: DN200 - DN300, 3060 - 7990 m ³ /h | pg. 2-12 |
| Silencer Frames for Blower Packages | |
| BBF Series: 2" - 6", 230 - 1870 m ³ /h | pg. 2-13 |
| Lateral Access Filter Silencers | |
| LQB Series | pg. 2-14 |
| Sumo Class Filter Silencers Up to 13600 m ³ /h | pg. 2-15 |
| Multibarrel Filter Silencers Up to 42500 m ³ /h | pg. 2-15 |



Applications & Equipment

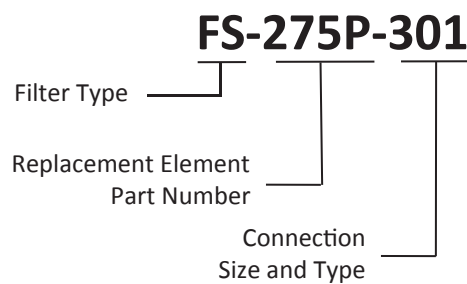
- Industrial & Severe Duty
- Blowers - Side Channel & Roots (P.D.)
- Breathers
- Fuel Cells
- Piston Compressors
- Screw Compressors
- Centrifugal Compressors
- Hydraulic Breathers – fine filtration
- Engines
- Fans
- Vacuum Pumps & Systems
- Construction\Contractor Industry
- Medical
- Pneumatic Conveying
- Waste Water Aeration
- Sparging
- Factory Air
- Vacuum Vent Breathers
- Cement Processing
- Power Plants
- Centralized Air Intakes

Identification

Standard Solberg products should have an identification label/nameplate that gives the following information:

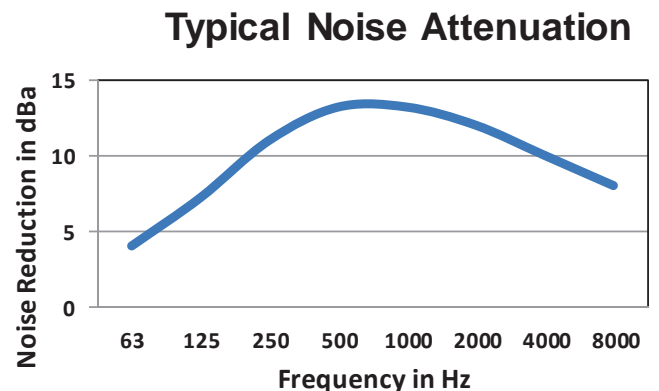
Assembly Model #
Replacement Element #

The part number designates the filter type, the element configuration and housing connection size. For example, the following part number identifies the filter as being a “FS” design filter with a “275” element, “P” prefilter and 3” BSPT connection size.



Typical Noise Attenuation

See chart for typical noise attenuation for filter silencers. It may vary due to the wide range of applications, installations, and machines.



Choosing the Best Filter for your Equipment

- A. Connection & Airflow Known: When the connection & airflow is known:
1. Select appropriate connection style. (i.e.: BSPT, Flange, BSPP, etc.)
 2. Check assembly m^3/h (flow) rating. Compare with your required airflow. (Note: Assembly flow ratings are based on 6,000 FPM or 30m/sec for a given connection size to achieve low pressure drop performance. When required flow exceeds assembly flow rating, the pressure drop through the outlet connection will increase. In such cases select by element m^3/h (flow) rating.)
 3. When required flow rating matches connection size; skip to “C. Selecting Elements”.
- B. Unknown Connection: When the connection size is unknown, flexible, or the required flow rating exceeds assembly flow rating:
1. Match required flow rating with the element flow rating.
 2. Choose related connection size.
- C. Selecting Elements: The filter performance is influenced by the actual application duty and the equipment it is installed on. Regular maintenance checks and proper servicing is required.

Application Duty Descriptions:

Industrial Duty: Clean workshop or clean outdoor environment - small element sizing is sufficient.

Severe Duty: Dirty workshop, wastewater – medium to large element is recommended.

Extreme Duty: Cement, steel making, plastics or dusty material conveying – Largest element sizing is recommended.

1. Select media required by your application. Options include:
 - a. Standard media
 1. Polyester: All purpose; it withstands pulses, moisture, and oily air
 2. Paper: Mostly dry, smooth flow applications
 - b. Special Media: For a variety of micron levels and media types, see the “Filter Media Specifications” in the Replacement Element Section or contact Solberg.
2. Select element size by matching the element with the anticipated duty and upsize accordingly.

Filter Assembly Maintenance

Request the appropriate maintenance manual for more in-depth information from your Solberg representative or through www.solbergmfg.com.

Element Maintenance

Solberg elements should be replaced once the pressure drop reaches 37-50 mbar above the initial pressure drop of the installation. Cleaning an element is also an option.

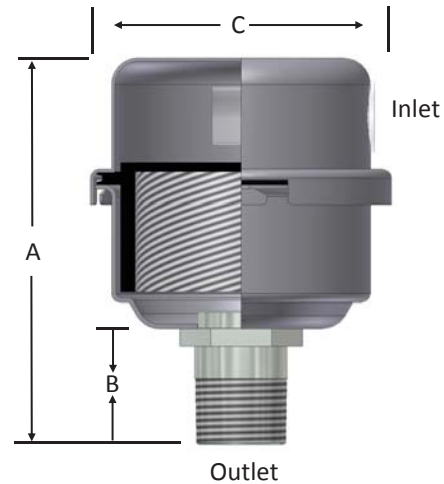
Solberg recommends replacing dirty elements for optimal performance. Any damage which results from by-pass or additional pressure drop created by element cleaning is the sole responsibility of the operator.

Note: The overall performance of a filter element is altered once cleaned. The initial pressure drop after subsequent cleanings will be greater than the original, clean pressure drop of the element. After each cleaning, the pressure drop will continue to increase. Under all circumstances, the initial pressure drop of the element needs to be maintained at less than 37 mbar.

If the pressure drop exceeds 50 mbar at start-up; it should be replaced with a new element. With many types of equipment, the maximum pressure drop allowed will be dictated by the ability of the equipment to perform to its rated capacity. Under all circumstances, the operator should avoid exceeding the manufacturer’s recommended maximum pressure drop for their specific equipment.

Miniature Filter Silencers

FS Series 1/4" - 1"



Features

- High grade filter element with integrated gasket seal
- Fully drawn weatherhood
- Tubular silencing design - tube maximizes attenuation and air flow while minimizing pressure drop
- Corrosion resistant carbon steel construction
- Black powder coat finish
- Ability to mount vertically and horizontally

Technical Specifications

- Temp (continuous): min-26°C (-15°F) max104°C (220°F)
- Filter change out differential: 37-50 mbar over initial ΔP
- Polyester: 99%+ removal efficiency standard to 25 micron
- Paper: 99%+ removal efficiency standard to 2 micron
- Pressure drop graphs available upon request

Options

- Various media for different environments
- Straight through configuration
- Various nonstandard finishes and connection styles

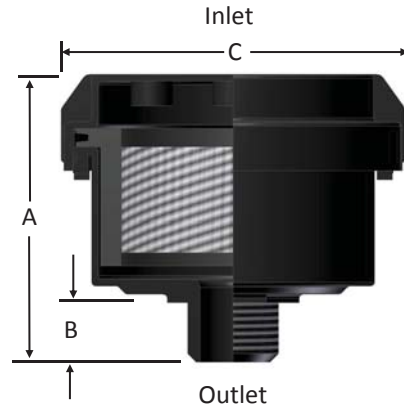
| MPT Outlet | Assembly m ³ /h Rating | Assembly Part Number | | Dimensions - mm | | | No. of Silencing Tubes | Approx. Weight kg | Replacement Element Part No. | | Element m ³ /h Rating |
|---------------|---|----------------------|-----------|-----------------|----|-----|------------------------------|-------------------------|---------------------------------|-------|--|
| | | Polyester | Paper | A | B | C | | | Polyester | Paper | |
| 1/4" | 7 | FS-05-025 | FS-04-025 | 70 | 17 | 64 | 1 | 0.11 | 05 | 04 | 14 |
| 3/8" | 14 | FS-05-038 | FS-04-038 | 70 | 17 | 64 | 1 | 0.11 | 05 | 04 | 14 |
| 3/8" | 14 | FS-07-038 | FS-06-038 | 90 | 18 | 83 | 1 | 0.23 | 07 | 06 | 20 |
| 1/2" | 14 | FS-05-050 | FS-04-050 | 76 | 22 | 64 | 1 | 0.11 | 05 | 04 | 14 |
| 1/2" | 20 | FS-07-050 | FS-06-050 | 95 | 22 | 83 | 1 | 0.23 | 07 | 06 | 20 |
| 1/2" | 20 | FS-11-050 | FS-10-050 | 106 | 22 | 108 | 1 | 0.45 | 11 | 10 | 60 |
| 3/4" | 20 | FS-07-075 | FS-06-075 | 105 | 32 | 83 | 1 | 0.23 | 07 | 06 | 20 |
| 3/4" | 43 | FS-11-075 | FS-10-075 | 114 | 32 | 107 | 1 | 0.45 | 11 | 10 | 60 |
| 1" | 60 | FS-11-100 | FS-10-100 | 114 | 32 | 107 | 1 | 0.45 | 11 | 10 | 60 |

See Filter Silencer Technical Data section for sizing guidelines.

Note: MPT threaded housings are interchangeable with BSPT up to 1".

Tidbit: Charlie Solberg Jr. created a patented process to manufacture our Hockey Puck Style Filter Elements that are used in these housings.

Note: Model offerings & design parameters may change without notice. Contact Solberg for CAD drawings or see www.solbergmfg.com.



Features

- Easy snap-on design for quick servicing
- Durable glass reinforced nylon housing
- Compact, low profile configuration
- Noise reducing silencing design
- High grade filter element with integrated gasket seal

Benefits

- Longer element life with maximized surface area
- Cost efficient solution
- Low restriction improves equipment performance

Technical Specifications

- Temp (continuous): min -26°C (-15°F) max 104°C (220°F)
- Filter change out differential: 37-50 mbar over initial Δ P
- Pressure drop graphs available upon request
- Polyester: 99%+ removal efficiency standard to 25 micron
- Paper: 99%+ removal efficiency standard to 2 micron

Options

- Various media for different environments

| MPT Outlet | Assembly m ³ /h Rating | Assembly Part Number | | Dimensions - mm | | | Approx. Weight kg | Replacement Element Part No. | | Element m ³ /h Rating | |
|---------------|---|----------------------|-----------|-----------------|----|----|-------------------------|---------------------------------|-------|--|----|
| | | Polyester | Paper | A | B | C | | Polyester | Paper | | |
| 1/8" | 5 | PS-03-013 | PS-02-013 | 44 | 11 | 44 | 0.02 | 03 | 02 | 5 | |
| 1/4" | 5 | PS-03-025 | PS-02-025 | 44 | 11 | 44 | 0.02 | 03 | 02 | 5 | |
| 1/4" | 7 | PS-05-025 | PS-04-025 | 54 | 12 | 67 | 0.04 | 05 | 04 | 14 | |
| 3/8" | 10 | PS-05-038 | PS-04-038 | 55 | 10 | 67 | 0.04 | 05 | 04 | 14 | |
| 1/2" | 10 | PS-05-050 | PS-04-050 | 57 | 13 | 67 | 0.04 | 05 | 04 | 14 | |
| 1/2" | 17 | PS-07-050 | PS-06-050 | * | 79 | 18 | 83 | 0.09 | 07 | 06 | 20 |
| 1/2" | 20 | PS-11-050 | PS-10-050 | * | 83 | 18 | 106 | 0.14 | 11 | 10 | 60 |
| 3/4" | 20 | PS-07-075 | PS-06-075 | * | 89 | 25 | 83 | 0.14 | 07 | 06 | 20 |
| 3/4" | 34 | PS-11-075 | PS-10-075 | * | 89 | 25 | 105 | 0.16 | 11 | 10 | 60 |
| 1" | 60 | PS-11-100 | PS-10-100 | * | 89 | 25 | 106 | 0.18 | 11 | 10 | 60 |

* Contact factory for availability and lead times.

Note: MPT threaded housings are interchangeable with BSPT up to 1".
See Filter Silencer Technical Data section for sizing guidelines.

Note: Model offerings & design parameters may change without notice. Contact Solberg for CAD drawings or see www.solbergmfg.com.

Compact Filter Silencers FS Series 1/2"-6" Threaded

DN80-DN150 FLG

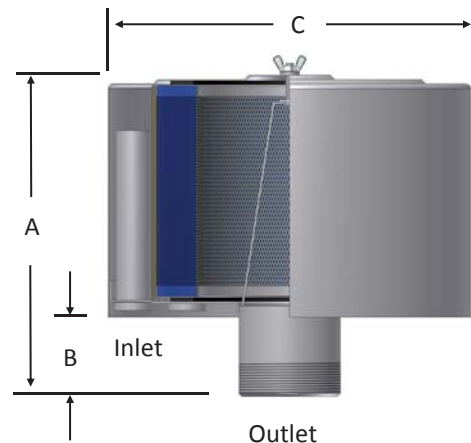


Features

- Fully drawn weatherhood
- Tubular silencing design - tubes are positioned to maximize attenuation and air flow while minimizing pressure drop
- Corrosion resistant carbon steel construction
- Powder coat finish

Technical Specifications

- Temp (continuous): min -26°C (-15°F) max 104°C (220°F)
- Filter change out differential: 37-50 mbar over initial ΔP
- Pressure drop graphs available upon request
- Polyester: 99%+ removal efficiency standard to 5 micron
- Paper: 99%+ removal efficiency standard to 2 micron



Options



- Tap holes available
- Pressure drop indicator (See page 3-12)
- Various media for different environments
- Stainless steel construction
- Various nonstandard finishes and connection styles
- Side Access Silencer Filters (LQB Series) for space restricted enclosures (select models)

Tidbit: Charlie Solberg Sr. "Senior" designed our first filter silencer in 1966. The FS-15 size filter was created for small air compressors.

Threaded Outlet Assemblies

| Outlet Size | Outlet Type | Assembly m ³ /h Rating | Assembly Part Number | | Dimensions - mm | | | No. of Silencing Tubes | Approx. Weight kg | Replacement Element Part No. | | Element m ³ /h Rating |
|-------------|-------------|-----------------------------------|----------------------|-----------------|-----------------|-----|-----|------------------------|-------------------|------------------------------|-------|----------------------------------|
| | | | Polyester | Paper | A | B | C | | | Polyester | Paper | |
| 1/2" | MPT | 17 | FS-15-050 | FS-14-050 | 87 | 24 | 155 | 1 | 0.8 | 15 | 14 | 60 |
| 3/4" | MPT | 43 | FS-15-075 | FS-14-075 | 96 | 32 | 155 | 2 | 0.9 | 15 | 14 | 60 |
| 1" | MPT | 60 | FS-15-100 | FS-14-100 | 96 | 33 | 155 | 3 | 0.9 | 15 | 14 | 60 |
| 1" | MPT | 60 | FS-15-100B | FS-14-100B | 0 | 0 | 0 | 3 | 0.9 | 15 | 14 | 60 |
| 1" | MPT | 94 | FS-19P-100 | FS-18P-100 | 162 | 33 | 156 | 3 | 1.4 | 19P | 18P | 170 |
| 1 1/4" | BSPT | 119 | FS-19P-126 | FS-18P-126 | 171 | 41 | 156 | 5 | 1.5 | 19P | 18P | 170 |
| 1 1/2" | BSPT | 145 | FS-19P-151 | FS-18P-151 | 171 | 41 | 156 | 5 | 1.6 | 19P | 18P | 170 |
| 1 1/2" | BSPT | 145 | FS-19P-151B | FS-18P-151B | 171 | 41 | 156 | 5 | 1.6 | 19P | 18P | 170 |
| 2" | BSPT | 230 | FS-31P-201 | FS-30P-201 | 190 | 60 | 262 | 5 | 3.5 | 31P | 30P | 332 |
| 2" | BSPT | 230 | FS-231P-201 | FS-230P-201 | 304 | 60 | 260 | 5 | 6.3 | 231P | 230P | 510 |
| 2 1/2" | BSPT | 332 | FS-31P-251 | FS-30P-251 | 196 | 67 | 262 | 5 | 3.7 | 31P | 31P | 332 |
| 2 1/2" | BSPT | 332 | FS-231P-251 | FS-230P-251 | 314 | 67 | 260 | 9 | 6.5 | 231P | 230P | 510 |
| 3" | BSPT | 510 | FS-231P-301 | FS-230P-301 | 323 | 80 | 260 | 9 | 6.8 | 231P | 230P | 510 |
| 3" | BSPT | 510 | FS(12)-235P-301 | FS(12)-234P-301 | 326 | 69 | 311 | 3 | 13 | 235P | 234P | 970 |
| 3" | BSPT | 510 | FS-275P-301 | FS-274P-301 | 330 | 80 | 406 | 9 | 15 | 275P | 274P | 1870 |
| 4" | BSPT | 885 | FS(12)-235P-401 | FS(12)-234P-401 | 352 | 95 | 311 | 6 | 14 | 235P | 234P | 970 |
| 4" | BSPT | 885 | FS-275P-401 | FS-274P-401 | 353 | 102 | 406 | 9 | 15 | 275P | 274P | 1870 |
| 5" | BSPT | 1360 | FS-245P-501 | FS-244P-501 | 356 | 105 | 406 | 14 | 15 | 245P | 244P | 1500 |
| 5" | BSPT | 1360 | FS-275P-501 | FS-274P-501 | 356 | 105 | 406 | 14 | 16 | 275P | 274P | 1870 |
| 6" | BSPT | 1870 | FS-275P-601 | FS-274P-601 | 394 | 130 | 406 | 18 | 17 | 275P | 274P | 1870 |

See Filter Silencer Technical Data section for sizing guidelines.

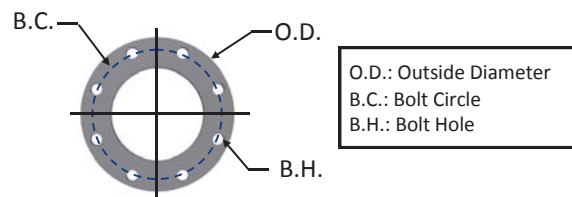
Note: MPT threaded housings are interchangeable with BSPT up to 1".

Flange Outlet Assemblies

| Flange Outlet | Assembly m ³ /h Rating | Assembly Part Number | | Dimensions - mm | | | No. of Silencing Tubes | Approx. Weight kg | Replacement Element Part No. | | Element m ³ /h Rating |
|---------------|-----------------------------------|----------------------|-------------------|-----------------|-----|-----|------------------------|-------------------|------------------------------|-------|----------------------------------|
| | | Polyester | Paper | A | B | C | | | Polyester | Paper | |
| DN80 | 510 | FS(12)-235P-DN80 | FS(12)-234P-DN80 | 326 | 69 | 311 | 3 | 13 | 235P | 234P | 970 |
| DN80 | 510 | FS-275P-DN80 | FS-274P-DN80 | 330 | 76 | 406 | 9 | 15 | 275P | 274P | 1870 |
| DN100 | 885 | FS(12)-235P-DN100 | FS(12)-234P-DN100 | 352 | 95 | 311 | 6 | 14 | 235P | 234P | 970 |
| DN100 | 885 | FS-275P-DN100 | FS-274P-DN100 | 354 | 102 | 406 | 9 | 18 | 275P | 274P | 1870 |
| DN125 | 1360 | FS-245P-DN125 | FS-244P-DN125 | 356 | 105 | 406 | 14 | 17 | 245P | 244P | 1500 |
| DN125 | 1360 | FS-275P-DN125 | FS-274P-DN125 | 356 | 105 | 406 | 14 | 18 | 275P | 274P | 1870 |
| DN150 | 1870 | FS-275P-DN150 | FS-274P-DN150 | 381 | 130 | 406 | 18 | 19 | 275P | 274P | 1870 |

See Filter Silencer Technical Data section for sizing guidelines.

| PN10 Pattern Flange | Dimensions - mm | | | No. of Holes | Flange Thickness |
|---------------------|-----------------|------|------|--------------|------------------|
| | O.D. | B.C. | B.H. | | |
| DN80 | 200 | 160 | 18 | 8 | 20 |
| DN100 | 220 | 180 | 18 | 8 | 20 |
| DN125 | 250 | 210 | 18 | 8 | 22 |
| DN150 | 285 | 240 | 22 | 8 | 22 |

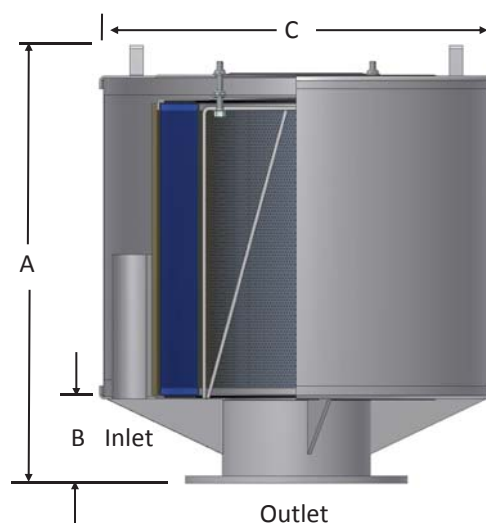


Big Boy Filter Silencers

FS Series DN200 – DN300 FLG



Filter Silencers



Features

- Tubular silencing design - tubes are positioned to maximize attenuation and air flow while minimizing pressure drop
- Corrosion resistant carbon steel construction
- Powder coat finish
- Low pressure drop center bracket & outlet pipe design

Technical Specifications

- Temp (continuous): min -26°C (-15°F) max 104°C (220°F)
- Filter change out differential: 37-50 mbar over initial ΔP
- Pressure drop graphs available upon request
- Polyester: 99%+ removal efficiency standard to 5 micron
- Paper: 99%+ removal efficiency standard to 2 micron

Options

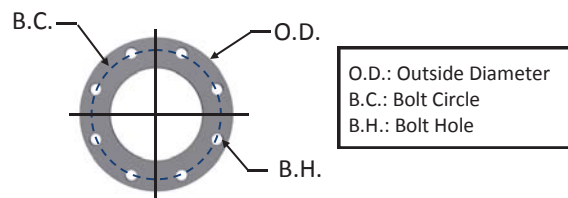


- Tap holes available
- Pressure drop indicator (See page 3-12)
- Various media for different environments
- Stainless steel construction
- Various nonstandard finishes and connection styles
- Side Access Silencer Filters (LQB Series) for space restricted enclosures (select models)

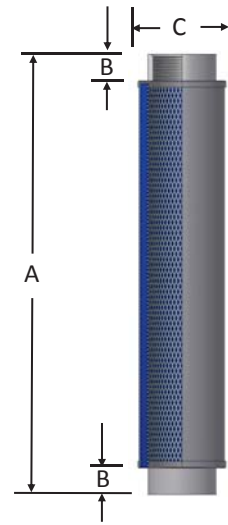
| Flange Outlet | Assembly m ³ /h Rating | Assembly Part Number | | Dimensions - mm | | | No. of Silencing Tubes | Approx. Weight kg | Replacement Element Part No. | | Element m ³ /h Rating |
|---------------|-----------------------------------|----------------------|------------------|-----------------|-----|-----|------------------------|-------------------|------------------------------|----------|----------------------------------|
| | | Polyester | Paper | A | B | C | | | Polyester | Paper | |
| DN200 | 3060 | FS-377P-DN200 | FS-376P-DN200 | 599 | 133 | 556 | 12 | 54 | 377P | 376P | 3105 |
| DN200 | 3060 | FS-385P-DN200 | FS-384P-DN200 | 610 | 154 | 719 | 12 | 56 | 385P | 384P | 5610 |
| DN250 | 5610 | FS-385P-DN250 | FS-384P-DN250 | 598 | 152 | 719 | 16 | 59 | 385P | 384P | 5610 |
| DN250 | 5610 | FS-485P-DN250 | FS-484P-DN250 | 802 | 157 | 719 | 16 | 64 | 485P | 484P | 8000 |
| DN300 | 7990 | FS-485P-DN300 | FS-484P-DN300 | 799 | 154 | 719 | 24 | 70 | 485P | 484P | 8000 |
| DN300 | 7990 | FS-685P-DN300 | FS-384P(2)-DN300 | 977 | 154 | 719 | 24 | 79 | 685P | 384P (2) | 11220 |

See Filter Silencer Technical Data section for sizing guidelines.

| PN10 Pattern Flange | Dimensions - mm | | | No. of Holes | Flange Thickness |
|---------------------|-----------------|------|------|--------------|------------------|
| | O.D. | B.C. | B.H. | | |
| DN200 | 340 | 295 | 22 | 8 | 24 |
| DN250 | 395 | 350 | 22 | 12 | 26 |
| DN300 | 445 | 400 | 22 | 12 | 26 |



Note: Model offerings & design parameters may change without notice. Contact Solberg for CAD drawings or see www.solbergmfg.com.



Features

- Layered sound absorbent media
- Designed for minimal pressure drop; baffles, internal tubes, and other restrictive devices are unnecessary
- For inlet and discharge inline air service
- Corrosion resistant carbon steel construction
- Powder coat finish: 1/2" to 1-1/2"
- Epoxy coat finish: 2" to 4"

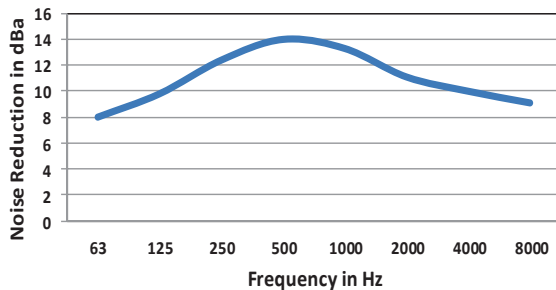
Options

- Flange adapters
- Larger sizes
- Special connections
- Hi-temp models

Technical Specifications

- Max. temperature (continuous): 107°C (225°F)
- Due to the wide range of equipment and environments; please contact factory for typical noise attenuation for your application.

Typical Noise Attenuation



♦ Noise attenuation may vary due to the wide range of applications and machines

| Inlet/ Outlet Size | Inlet/ Outlet Type | Assembly m ³ /h Rating | Part Number | Dimensions - mm | | | Approx. Wt. kg |
|--------------------------|--------------------------|---|-------------|-----------------|-----|-----|-------------------|
| | | | | A | B | C | |
| 1" | NPSC | 71 | SLCR100 | 304 | 19 | 66 | 1.0 |
| 1 1/4" | BSPP | 94 | SLCR126 | 304 | 19 | 66 | 1.0 |
| 1 1/2" | BSPP | 264 | SLCR151 | 306 | 20 | 66 | 1.3 |
| 2" | BSPP | 459 | SLCR201 | 400 | 19 | 93 | 1.8 |
| 2 1/2" | BSPP | 655 | SLCR251 | 530 | 31 | 118 | 3.6 |
| 3" | BSPP | 978 | SLCR301 | 657 | 40 | 132 | 4.5 |
| 4" | BSPP | 978 | SLCR401 | 627 | 45 | 254 | 12 |
| 1/2" | MPT | 43 | SLCRT050 | 352 | 43 | 66 | 1.0 |
| 3/4" | MPT | 60 | SLCRT075 | 368 | 51 | 79 | 1.0 |
| 1" | MPT | 71 | SLCRT100 | 368 | 51 | 79 | 1.0 |
| 1 1/4" | BSPT | 94 | SLCRT126 | 368 | 51 | 66 | 1.0 |
| 1 1/2" | BSPT | 264 | SLCRT151 | 356 | 44 | 66 | 1.3 |
| 2" | BSPT | 459 | SLCRT201 | 470 | 54 | 93 | 1.8 |
| 2 1/2" | BSPT | 655 | SLCRT251 | 601 | 67 | 118 | 3.6 |
| 3" | BSPT | 978 | SLCRT301 | 711 | 67 | 130 | 4.5 |
| 4" | BSPT | 978 | SLCRT401 | 744 | 102 | 254 | 12 |

Note: MPT and FPT threaded housings are interchangeable with BSPT and BSPP up to 1".

Filter Silencers for Blowers

QB Series 2"-6" BSPT



DN80-DN150 FLG



Features

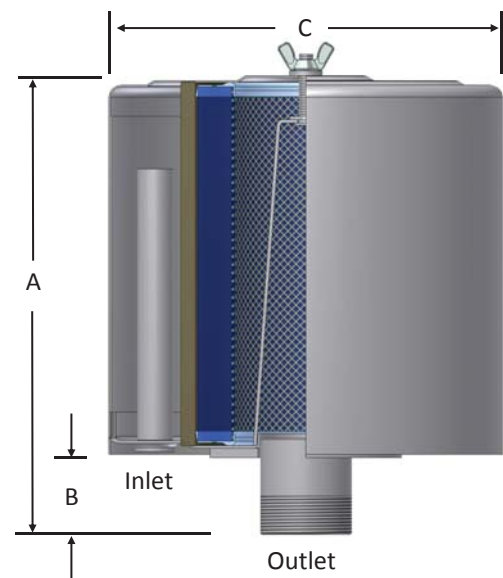
- Multiple silencing features to reduce and deaden sound
 - Tubular Silencing - Tubes placed to maximize attenuation
 - Quiet Band Support –with “Quiet band” technology utilizes sound suppression in the design of the housing
- Low pressure drop housing design
- Corrosion resistant carbon steel construction
- Powder coat finish

Technical Specifications

- Temp (continuous): min -26°C (-15°F) max 104°C (220°F)
- Filter change out differential: 37-50 mbar over initial ΔP
- Pressure drop graphs available upon request
- Polyester: 99%+ removal efficiency standard to 5 micron
- Paper: 99%+ removal efficiency standard to 2 micron

Options

- Tap holes available
- Pressure drop indicator (See page 3-12)
- Various media for different environments
- Stainless steel construction
- Various nonstandard finishes and connection styles
- Side Access Silencer Filters (LQB Series) for space restricted enclosures (select models)



DN80-DN150 FLG

BSPT Outlet Assemblies

| BSPT Outlet | Assembly m ³ /h Rating | Assembly Part Number | | Dimensions - mm | | | No. of Silencing Tubes | Approx. Weight kg | Replacement Element Part No. | | Element m ³ /h Rating |
|-------------|-----------------------------------|----------------------|-----------------|-----------------|-----|-----|------------------------|-------------------|------------------------------|-------|----------------------------------|
| | | Polyester | Paper | A | B | C | | | Polyester | Paper | |
| 2" | 230 | QB-231P-201 | QB-230P-201 | 301 | 60 | 260 | 7 | 6 | 231P | 230P | 510 |
| 2 1/2" | 332 | QB-231P-251 | QB-230P-251 | 307 | 67 | 260 | 9 | 6 | 231P | 230P | 510 |
| 3" | 510 | QB-231P-301 | QB-230P-301 | 320 | 80 | 260 | 9 | 6 | 231P | 230P | 510 |
| 3" | 510 | QB(12)-235P-301 | QB(12)-234P-301 | 326 | 69 | 311 | 3 | 13 | 235P | 234P | 969 |
| 3" | 510 | QB-275P-301 | QB-274P-301 | 330 | 76 | 406 | 9 | 15 | 275P | 274P | 1870 |
| 4" | 884 | QB(12)-235P-401 | QB(12)-234P-401 | 352 | 95 | 311 | 6 | 14 | 235P | 234P | 970 |
| 4" | 884 | QB-275P-401 | QB-274P-401 | 356 | 102 | 406 | 9 | 15 | 275P | 274P | 1870 |
| 5" | 1360 | QB-245P-501 | QB-244P-501 | 356 | 102 | 406 | 14 | 15 | 245P | 244P | 1496 |
| 5" | 1360 | QB-275P-501 | QB-274P-501 | 356 | 102 | 406 | 14 | 16 | 275P | 274P | 1870 |
| 6" | 1870 | QB-275P-601 | QB-274P-601 | 394 | 133 | 406 | 18 | 17 | 275P | 274P | 1870 |

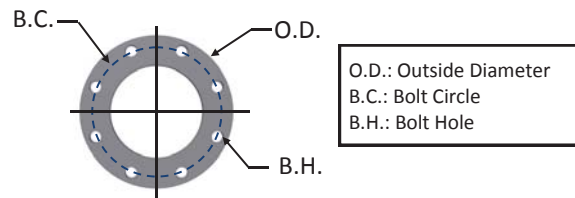
See Filter Silencer Technical Data section for sizing guidelines.

Flange Outlet Assemblies

| Flange Outlet | Assembly m ³ /h Rating | Assembly Part Number | | Dimensions - mm | | | No. of Silencing Tubes | Approx. Weight kg | Replacement Element Part No. | | Element m ³ /h Rating |
|---------------|-----------------------------------|----------------------|-------------------|-----------------|-----|-----|------------------------|-------------------|------------------------------|-------|----------------------------------|
| | | Polyester | Paper | A | B | C | | | Polyester | Paper | |
| DN80 | 510 | QB(12)-235P-DN80 | QB(12)-234P-DN80 | 326 | 69 | 311 | 3 | 14 | 235P | 234P | 970 |
| DN80 | 510 | QB-275P-DN80 | QB-274P-DN80 | 330 | 76 | 406 | 9 | 15 | 275P | 274P | 1870 |
| DN100 | 884 | QB(12)-235P-DN100 | QB(12)-234P-DN100 | 352 | 95 | 311 | 6 | 15 | 235P | 234P | 970 |
| DN100 | 884 | QB-275P-DN100 | QB-274P-DN100 | 356 | 102 | 406 | 9 | 18 | 275P | 274P | 1870 |
| DN125 | 1360 | QB-245P-DN125 | QB-244P-DN125 | 356 | 102 | 406 | 14 | 17 | 245P | 244P | 1496 |
| DN125 | 1360 | QB-275P-DN125 | QB-274P-DN125 | 356 | 102 | 406 | 14 | 18 | 275P | 274P | 1870 |
| DN150 | 1870 | QB-275P-DN150 | QB-274P-DN150 | 394 | 133 | 406 | 18 | 19 | 275P | 274P | 1870 |

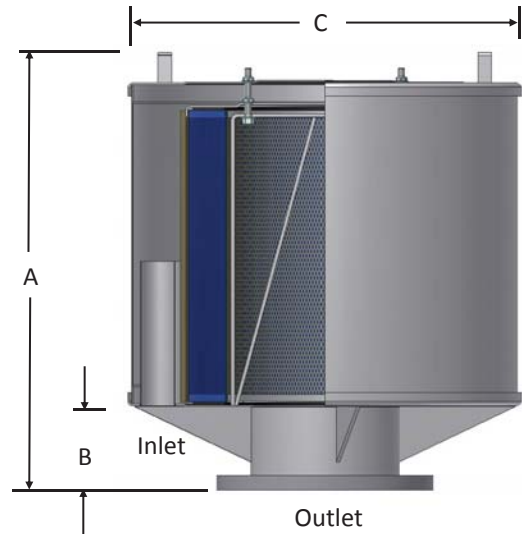
See Filter Silencer Technical Data section for sizing guidelines.

| PN10 Pattern Flange | Dimensions - mm | | | No. of Holes | Flange Thickness |
|---------------------|-----------------|------|------|--------------|------------------|
| | O.D. | B.C. | B.H. | | |
| DN80 | 200 | 160 | 18 | 8 | 20 |
| DN100 | 220 | 180 | 18 | 8 | 20 |
| DN125 | 250 | 210 | 18 | 8 | 22 |
| DN150 | 285 | 240 | 22 | 8 | 22 |



Big Boy Filter Silencers for Blowers

QB Series DN200 - DN300 FLG



Features

- Multiple silencing features to reduce and deaden sound
 - Tubular Silencing - Tubes placed to maximize attenuation
 - Quiet Band Support - "Quiet band" technology utilizes sound suppression in the design of the housing
- Low pressure drop housing design
- Corrosion resistant carbon steel construction
- Powder coat finish

Technical Specifications

- Temp (continuous): min -26°C (-15°F) max 104°C (220°F)
- Filter change out differential: 37-50 mbar over initial Δ P
- Pressure drop graphs available upon request
- Polyester: 99%+ removal efficiency standard to 5 micron
- Paper: 99%+ removal efficiency standard to 2 micron

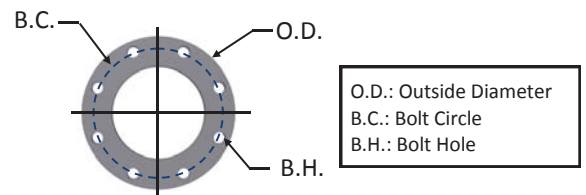
Options

- Tap holes available
- Pressure drop indicator (See page 3-12)
- Various media for different environments
- Stainless steel construction
- Various nonstandard finishes and connection styles
- Side Access Silencer Filters (LQB Series) for space restricted enclosures (select models)

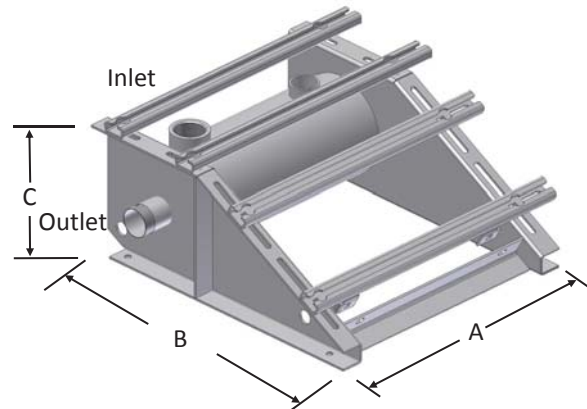
| Flange Outlet | Assembly m ³ /h Rating | Assembly Part Number | | Dimensions - mm | | | No. of Silencing Tubes | Approx. Weight kg | Replacement Element Part No. | | Element m ³ /h Rating |
|---------------|-----------------------------------|----------------------|------------------|-----------------|-----|-----|------------------------|-------------------|------------------------------|-------|----------------------------------|
| | | Polyester | Paper | A | B | C | | | Polyester | Paper | |
| DN200 | 3060 | QB-377P-DN200 | QB-376P-DN200 | 584 | 152 | 572 | 12 | 50 | 377P | 376P | 3105 |
| DN200 | 3060 | QB-385P-DN200 | QB-384P-DN200 | 584 | 152 | 724 | 12 | 56 | 385P | 384P | 5605 |
| DN250 | 5610 | QB-385P-DN250 | QB-384P-DN250 | 584 | 152 | 724 | 16 | 59 | 385P | 384P | 5610 |
| DN250 | 5610 | QB-485P-DN250 | QB-484P-DN250 | 787 | 152 | 724 | 16 | 64 | 485P | 484P | 8000 |
| DN300 | 7990 | QB-485P-DN300 | QB-484P-DN300 | 787 | 152 | 724 | 24 | 70 | 485P | 484P | 8000 |
| DN300 | 7990 | QB-685P-DN300 | QB-384P(2)-DN300 | 965 | 152 | 724 | 24 | 79 | 685P | 384P | 11220 |
| DN300 | 7990 | QB-485P(2)-DN300 | QB-484P(2)-DN300 | 1346 | 152 | 724 | 24 | 88 | 485P | 484P | 16000 |

See Filter Silencer Technical Data section for sizing guidelines.

| PN10 Pattern Flange | Dimensions - mm | | | No. of Holes | Flange Thickness |
|---------------------|-----------------|------|------|--------------|------------------|
| | O.D. | B.C. | B.H. | | |
| DN200 | 340 | 295 | 22 | 8 | 24 |
| DN250 | 395 | 350 | 22 | 12 | 26 |
| DN300 | 445 | 400 | 22 | 12 | 26 |



Note: Model offerings & design parameters may change without notice. Contact Solberg for CAD drawings or see www.solbergmfg.com.



Features

- Reactive style silencing design
- Integrated discharge silencer
- Adjustable motor supports for belt tensioning
- Pre-assembled rails to frame
- Corrosion resistant carbon steel construction
- External black powder coat finish

Technical Specifications

- Pressure Rating: 1 ATM
- Hardware Kit (USA standard nuts, bolts, washers) included
- Ports for: relief valve, pressure & temperature gauges

Options

- Purpose built belt guard
- Flexible boot kit (clamp, flex adapter)
- Flange adapters
- Snubber discharge silencer for vacuum applications
- Contact factory for best Solberg filter for your package

Benefits

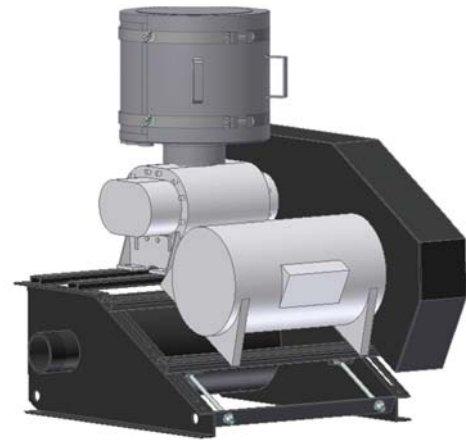
- Compact design for small blower package footprint
- Low profile allows for easier maintenance inspections
- Quick installation time
- Cost Savings (Minimal packaging, freight & storage)
- Sound enclosures are more economical due to compact frame footprint
- Engineering support provided by Solberg for sizing specifications and specific requirements



Example of Silencer Base Frame Package

| Pipe Inlet | Stub MPT Outlet | Assembly m ³ /h Rating | Part Number | Dimensions - mm | | | Relief Valve Port | Sugg. HP Range | Approx. Wt. kg | Belt Guard for BBF Series | |
|------------|-----------------|-----------------------------------|-----------------|-----------------|------|-----|-------------------|----------------|----------------|---------------------------|-------------|
| | | | | A | B | C | | | | Part No. | Weight (kg) |
| 2" | 2" | 230 | BBF-200 | 660 | 762 | 305 | 2.5 | 5-20+ | 59 | DL-200 | 9 |
| 2 1/2" | 2 1/2" | 332 | BBF-250 | 660 | 762 | 305 | 2.5 | 5-20+ | 59 | DL-200 | 9 |
| 3" | 3" | 510 | BBF-300 | 775 | 889 | 386 | 2" | 10-50 | 81 | DL-300 | 10 |
| 4" | 4" | 884 | BBF-400 | 775 | 889 | 386 | 2" | 10-50 | 81 | DL-300 | 10 |
| 6" | 6" Flg | 1870 | BBF-600F | 946 | 1003 | 451 | 3" | 20-60 | 179 | DL-600 | 13 |

Lateral Access Filter Silencer LQB Series



Example of Silencer Base Frame Package w/LQB

Features

- Multiple silencing features to reduce and deaden sound
 - Tubular Silencing - Tubes placed to maximize attenuation
 - Quiet Band Support - "Quiet band" technology utilizes sound suppression in the design of the housing
- Side access door with seal
- Corrosive resistant carbon steel construction
- Powder coat finish
- 1/8" tap hole
- Please contact Solberg for model offerings and availability.

Technical Specifications

- Temp (continuous): min -26°C (-15°F) max 104°C (220°F)
- Filter change out differential: 37-50 mbar over initial ΔP
- Pressure drop graphs available upon request
- Polyester: 99%+ removal efficiency standard to 5 micron
- Paper: 99%+ removal efficiency standard to 2 micron

Benefits

- Easy maintenance due to easy accessible element
- Compact housing design ideal for
 - Blower packages with enclosures
 - Space restricted work areas
- Cost savings due to smaller sound enclosure
- Differentiate your package from traditional
- Designed to be used with Solberg's BBF Series Silencer Base Frame

Options

- Various media for different environments
- Stainless steel construction
- Various nonstandard finishes and connection styles
- Pressure drop indicator (See page 3-11)

Why Solberg's LQB Series?

LQB Series helps make enclosures feasible and simplifies the maintenance process. Typical filter silencers require service area above the filter housing which increases the height and cost of the enclosure and makes servicing the unit difficult. The LQB Filter Silencer has an easy access side port which simplifies servicing and lowers the cost of your enclosure dramatically.



Examples of LQB Silencer Filter with and without filter element installed. Filter element easily slides out the side port for servicing.

Sumo Class Filter Silencers

Features

- Single barrel filter design allows for large airflows in space restricted work areas
- Tubular Silencing: Tubes positioned to maximize attenuation and air flow while minimizing pressure drop
- Low pressure drop housing construction
- Please contact Solberg for model offerings and availability.

Technical Specifications

- Designed for airflows up to 13600 m³/h
- Temp (continuous): min -26°C (-15°F) max 104°C (220°F)
- Filter change out differential: 37-50 mbar over initial Δ P
- Polyester: 99%+ removal efficiency standard to 5 micron
- Paper: 99%+ removal efficiency standard to 2 micron



Options

- Tap holes
- Pressure drop indicator
- Various media for different environments
- Stainless steel construction
- Various nonstandard finishes and connection styles

Multibarrel Filter Silencers

Features

- Designed for large airflow applications
- Cartridge style elements provide:
 - Increased reliability-better positive seal than panel filters
 - Added efficiency with maximum surface area
- Tubular Silencing: Tubes positioned to maximize attenuation and air flow while minimizing pressure drop
- Multiple configurations allows for a variety of environments
- Durable carbon steel construction with powder coat finish
- Please contact Solberg for model offerings and availability.

Technical Specifications

- Designed for airflows up to 42500 m³/h
- Temp (continuous): min -26°C (-15°F) max 104°C (220°F)
- Filter change out differential: 37-50 mbar over initial Δ P
- Polyester: 99%+ removal efficiency standard to 5 micron
- Paper: 99%+ removal efficiency standard to 2 micron



Options (Inquiries Encouraged)

- Multiple manifold configurations
- Pressure drop indicator
- Support stands
- Stainless steel construction
- Epoxy coated finish

Notes



Ross Brown Sales Pty. Ltd

ABN 28 000 690 362

Phone: (02) 8855 1700 Fax: (02) 9899 4233

Email: sales@rossbrownsales.com.au

Website: www.rossbrownsales.com.au

